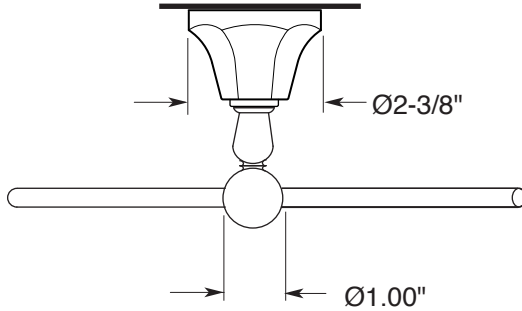


**FEATURES:**

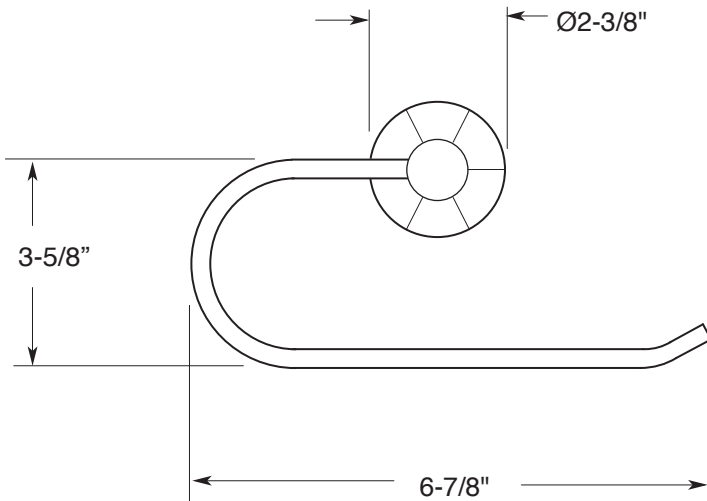
- All brass construction.
- Available in all Sigma finishes. Warranty varies according to finish selection.
- Mounting brackets and screws are supplied.

## Accessories

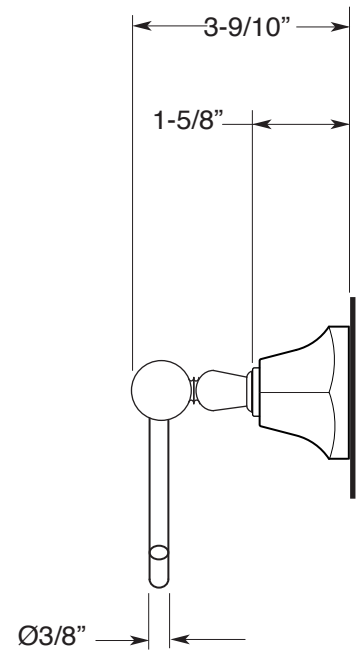
Series 07  
Single Post Paper Holder  
1.07SP00



**TOP VIEW**



**FRONT VIEW**



**SIDE VIEW**

Note: Measurements are subject to change or cancellation. No responsibility is assumed for use of superseded or voided pages.