

**FEATURES:**

- Cast brass construction.
- Thermostatic valve cartridge with cover plate: 18.30.147
- Thermostatic reverse cartridge with cover plate: 18.30.161
- 14.28 GPM @ 56 PSI top exit & 11.10 GPM bottom exit
- Meets: ASME A112.18.1/CSA B125.1-2012

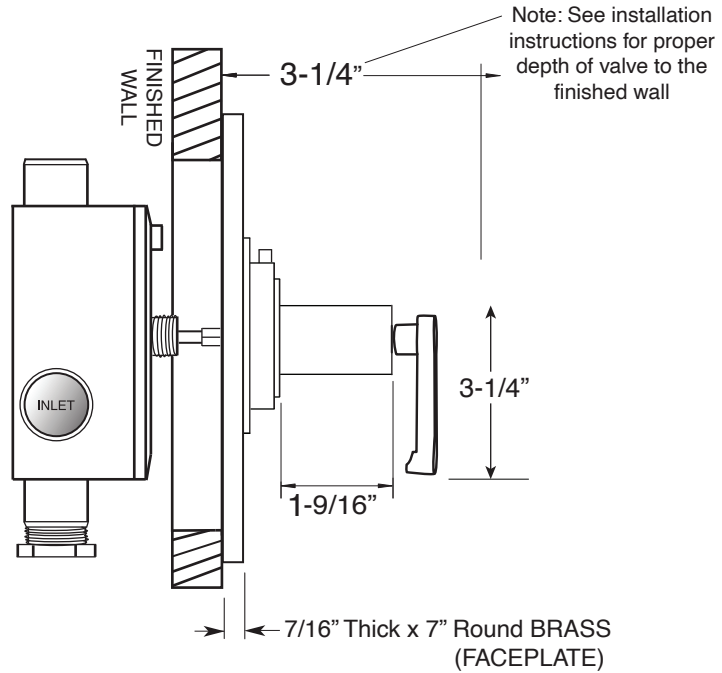
NOTE: Separate shut offs required to operate system.

**Series 810**

**1.076897**

**3/4" Thermostatic  
Valve & Trim  
with Piston Lever Handle  
(1.076897 Trim Only)**

SIDE VIEW - INSTALLED



SIDE VIEW - VALVE ONLY

