

Series 810

1.076896.V2

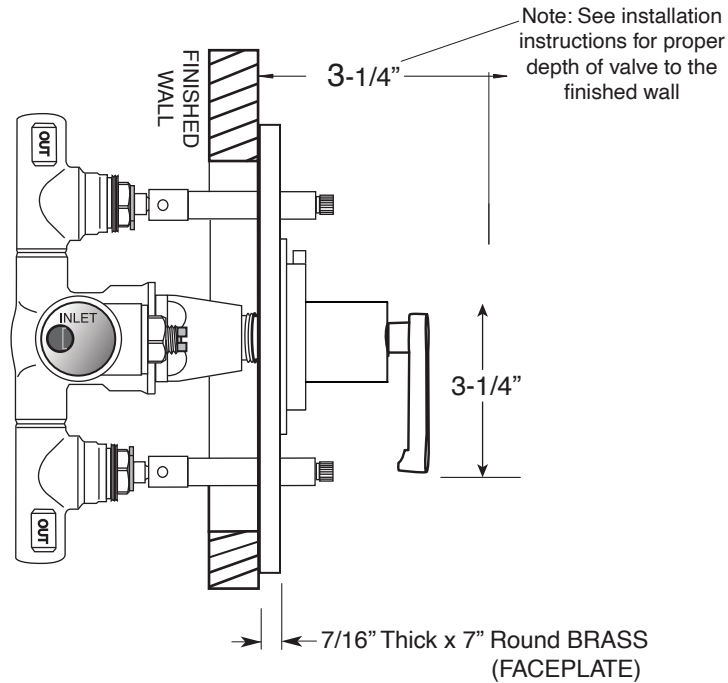
1/2" Thermostatic
Valve & Trim

Two Volume Control
with Piston Lever Handle
(1.076896.V2T Trim Only)

FEATURES:

- Forged brass construction.
- Thermostatic valve cartridge: 18.30.082
- Shut-off cartridge: (2) 18.30.036
- Screw driver spring check valve: (2) 18.30.181
- 14.5 GPM @ 45PSI (9.5 top exit / 5.0 bottom)
- Meets: ASME A112.18.1/CSA B125.1-2012

SIDE VIEW - INSTALLED



SIDE VIEW - VALVE ONLY

