

**FEATURES:**

- Forged brass construction.
- Thermostatic valve cartridge: 18.30.082
- Shut-off cartridge: (1) 18.30.036
- Screw driver spring check valve: (2) 18.30.181
- 14.5 GPM @ 45PSI (9.5 top exit)
- Meets: ASME A112.18.1/CSA B125.1-2012

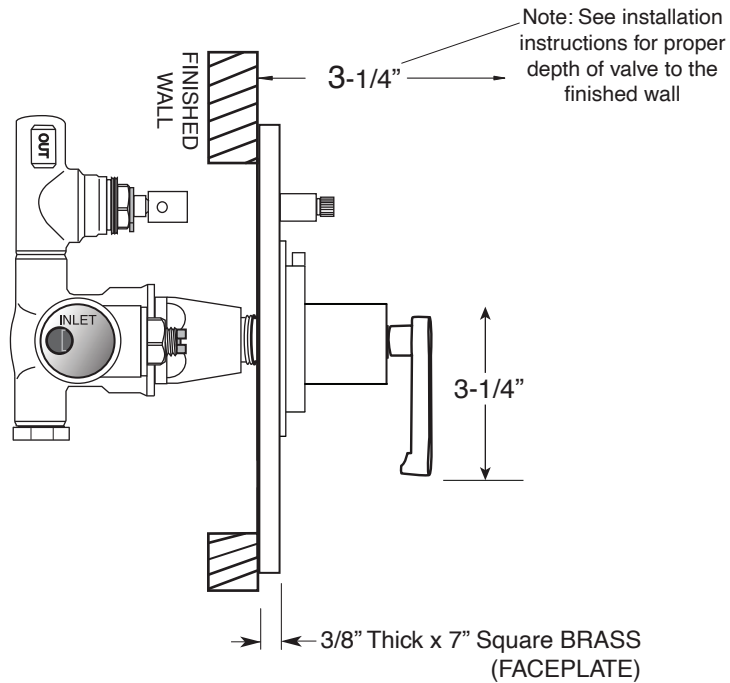
Series 810

1.076896.V1

1/2" Thermostatic  
Valve & Trim

One Volume Control  
with Piston Lever Handle  
(1.076896.V1T Trim Only)

SIDE VIEW - INSTALLED



SIDE VIEW - VALVE ONLY

