

FEATURES:

- Forged brass construction.
- Thermostatic valve cartridge: 18.30.082
- Screwdriver spring check valve: (2) 18.30.181
- 14.5 GPM @ 45PSI (9.5 top exit)
- Meets: ASME A112.18.1/CSA B125.1-2012

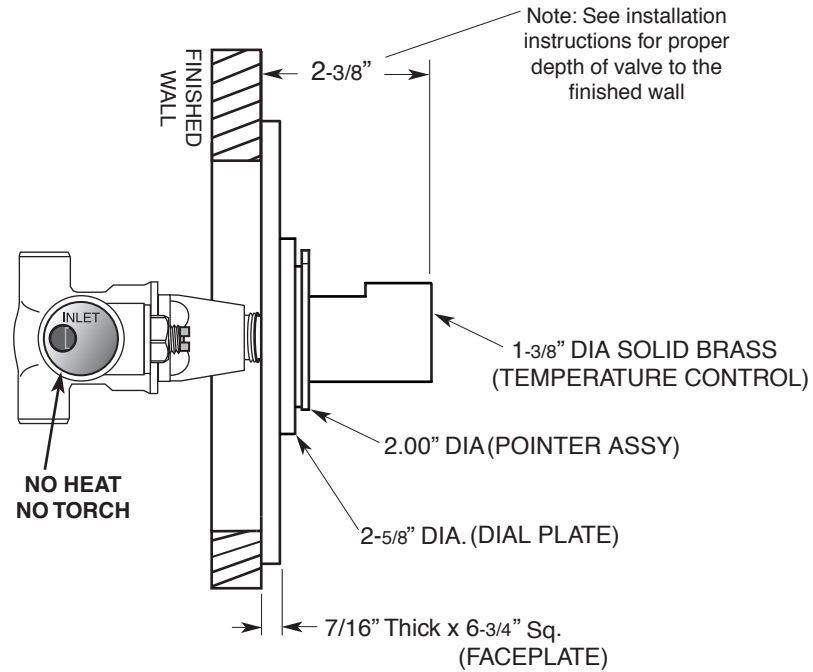
Note: Separate shut-offs required to operate system.

1/2" Thermostatic

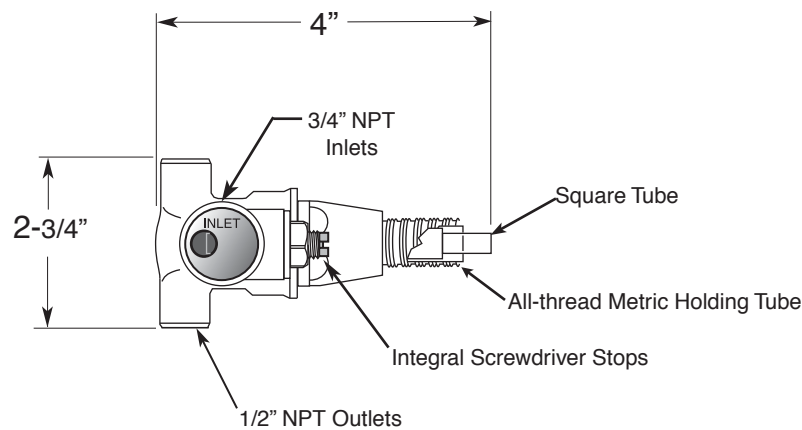
No Volume Control Valve & Trim Nuance Handle

1.050096.V0
(1.050096.V0T Trim Only)

SIDE VIEW - INSTALLED



SIDE VIEW - VALVE ONLY



Note: Measurements are subject to change or cancellation. No responsibility is assumed for use of superseded or voided pages.