

FEATURES:

- Cast brass construction.
- Thermostatic valve cartridge with cover plate: 18.30.147
- Thermostatic reverse cartridge with cover plate: 18.30.161
- 14.28 GPM @ 56 PSI top exit & 11.10 GPM bottom exit
- Certified to meet or exceed the following codes and standards:
ASME A112.18.1/CSA B 125.1-2011

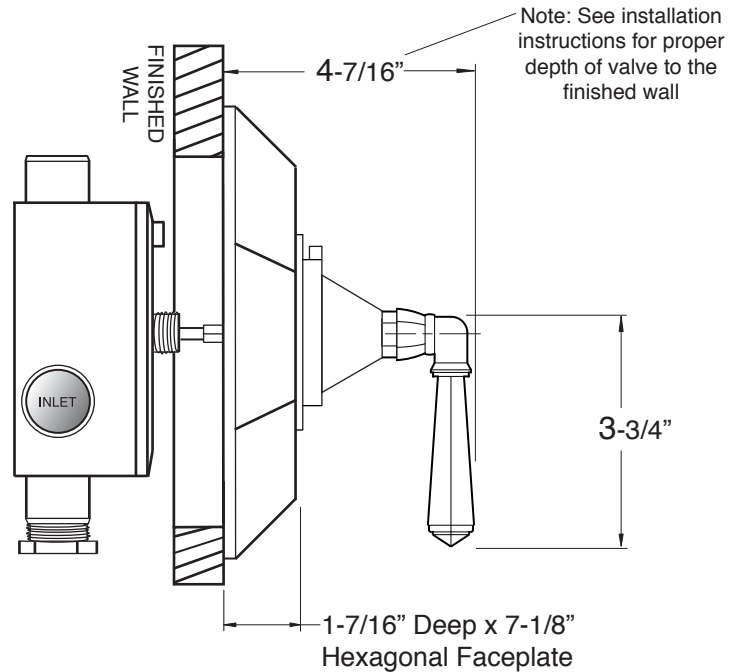
3/4" Thermostatic - No Stops

**Hexagonal Plate Valve & Trim
Valencia Handle**

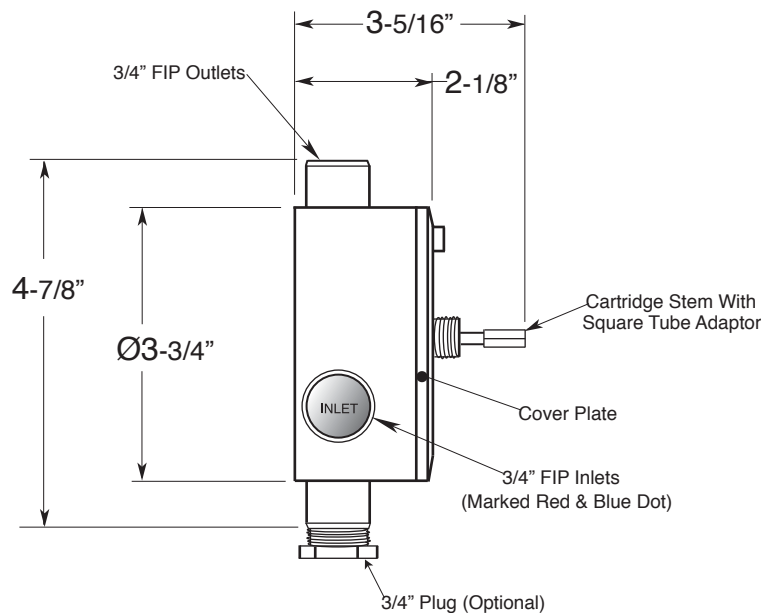
1.017497
(1.017497T Trim Only)

Note: Separate shut-offs required to operate system.

SIDE VIEW - INSTALLED



SIDE VIEW - VALVE ONLY



Note: Measurements are subject to change or cancellation. No responsibility is assumed for use of superseded or voided pages.