

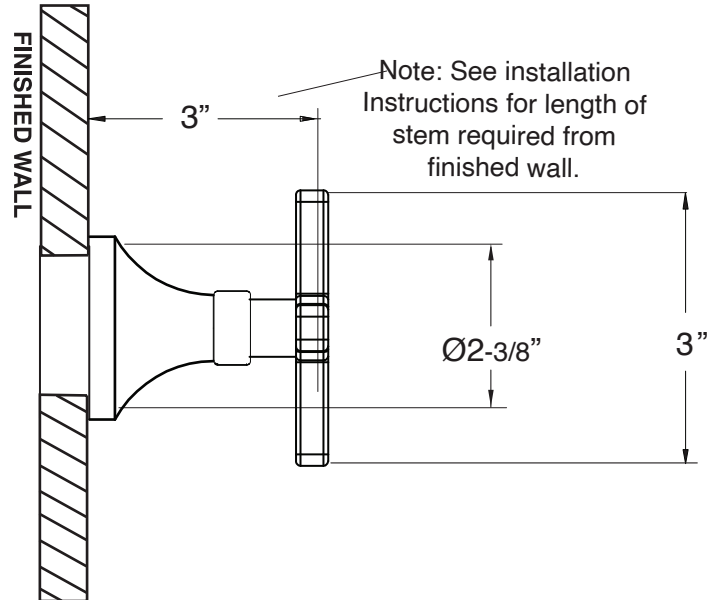
**FEATURES:**

- Certified to meet or exceed the following codes and standards:  
ASME A112-18.1 / CSA B125-1-2012

## Trim for Wall Valve

### Trim Only Capella X

1.009887T



### Trim used with the following Valves:

For this Euro Style 20pt handle and trim, use with the following valves:

- 78.30.020 - 1/2" Volume Control - 20 pt.....Replacement cartridge: 18.30.036
- 78.30.023 - 1/2" Volume Control - 20 pt.....Replacement cartridge: 18.30.011
- 78.30.255 - 3 port In-wall Diverter - 20 pt.....Replacement cartridge: 18.30.259
- 78.30.253 - 4 port In-wall Diverter - 20 pt.....Replacement cartridge: 18.30.257