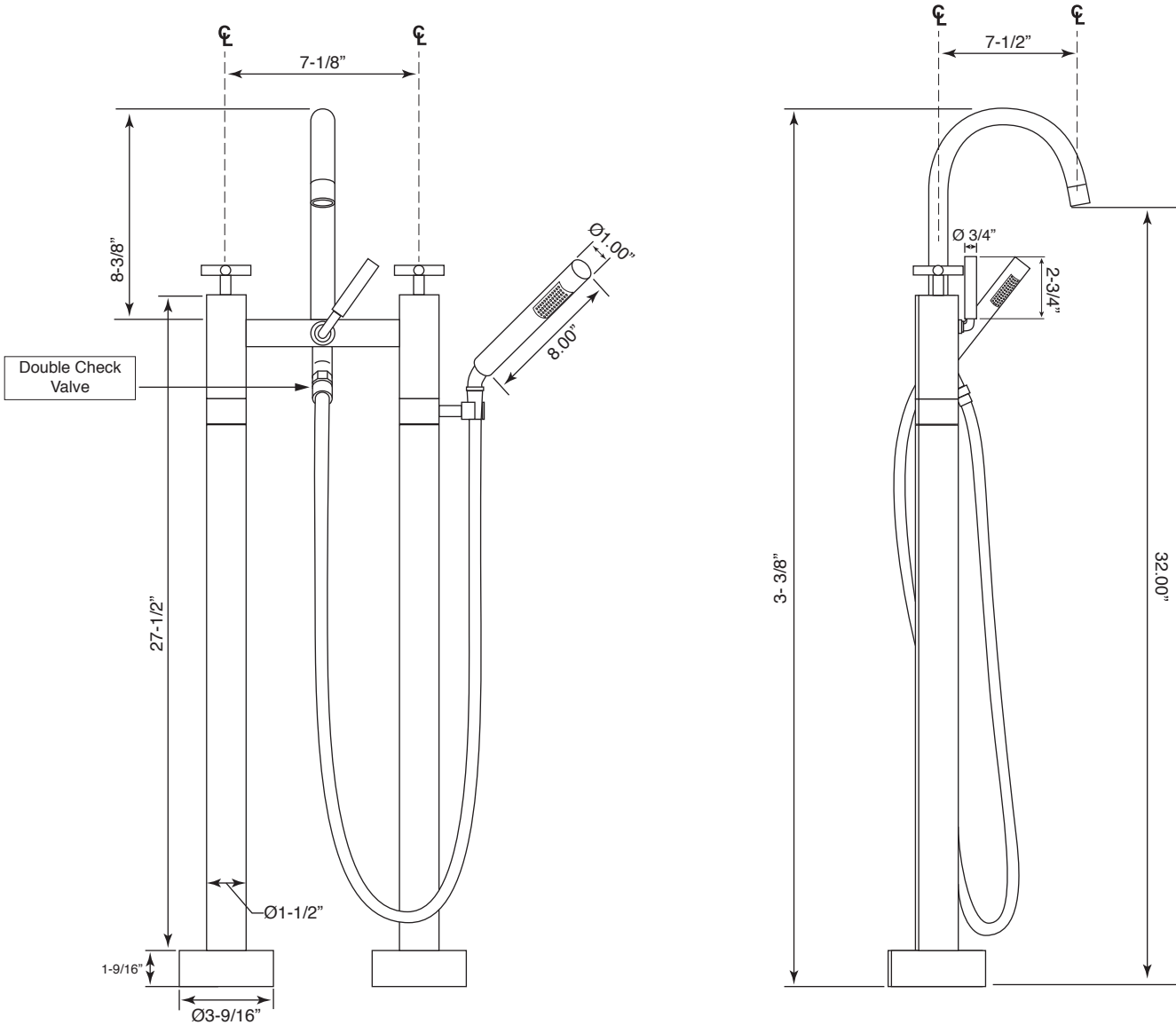


FEATURES:

- All brass construction.
- Available in all Sigma finishes
- Rough kit P/N 18.30.227
- Replacement cartridges:
18.30.303 - COLD / 18.30.302 - HOT
- Flow rate 7.5 gpm / 45 psi
- Certified to meet or exceed the following codes and standards:
ASME A112.18.1/CSAB 125.1-2012

**Contemporary Floormount
Tub Filler with Handshower
Nova II Handle**

1.0048520



Note: Measurements are subject to change or cancellation. No responsibility is assumed for use of superseded or voided pages.