

**Series 310**

Pressure Balance Shower by Shower Set

1.002967

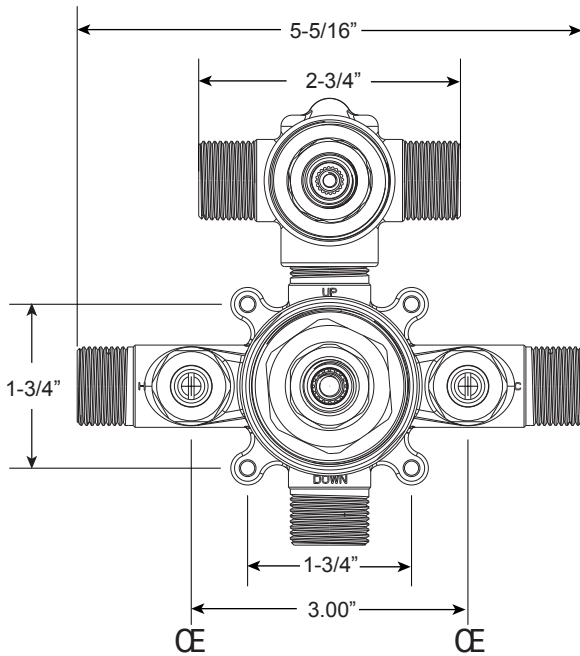
(1.002967T - Trim Only)

**Tribeca Handle**

**Euro Style 20 pt.**

**FEATURES:**

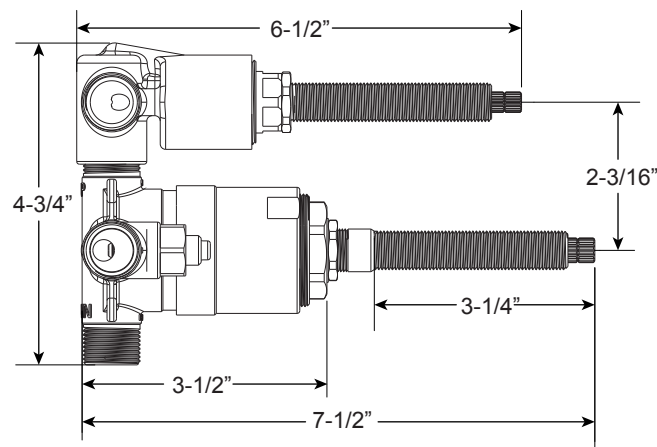
- Forged brass construction
- Valve cartridge 18.30.893
- Diverter cartridge: 18.30.898
- Adjustable hot limit safety stop
- Reversible cartridge
- 4.5 GPM @ 45 PSI
- Certified to meet or exceed the following codes and standards:  
ASME A112.18.1/CSAB 125.1-2012



**FRONT VIEW**

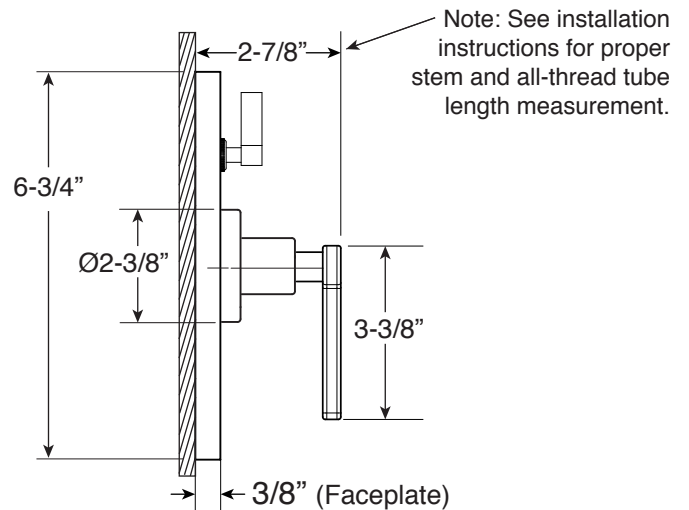
**SIDE VIEW**

*\*Note: Stem and all-thread tube will be sent with handle trim.*



**Please Note:**

*Must purchase the two desired shower components separately. See current catalog for shower component options.*



\* Current valve in use:  
Circa 4/2014 - present  
Contact Customer Service  
for Older Versions

\*\* For additional information on  
cartridges or extension kits,  
see 'Rough Valving' section  
in current catalog.