

**FEATURES:**

- Cast brass construction
- Thermostatic valve cartridge with cover plate: 18.30.147
- Thermostatic reverse cartridge with cover plate: 18.30.161
- 14.28 GPM @ 56 PSI top exit & 11.10 GPM bottom exit
- Meets: ASME A112.18.1/CSA B125.1-2011

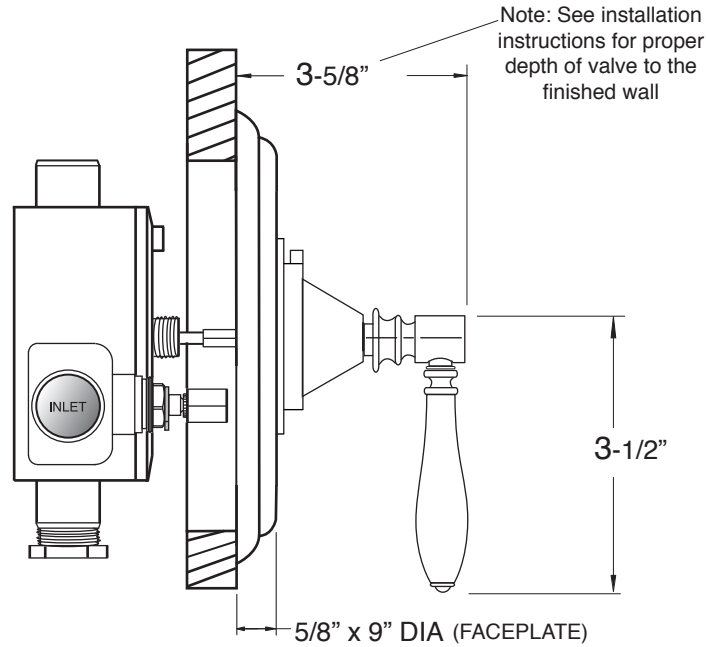
## 3/4" Thermostatic with Integral Stops

### Valve & Trim Huntington Handle

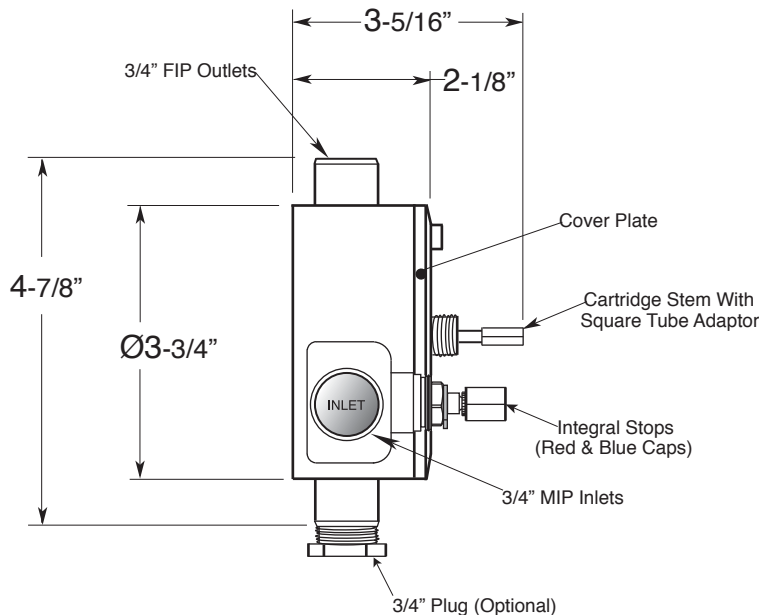
1.002797D  
(1.002797DT Trim Only)

NOTE: Separate shut offs required to operate system.

SIDE VIEW - INSTALLED



SIDE VIEW - VALVE ONLY



Note: Measurements are subject to change or cancellation. No responsibility is assumed for use of superseded or voided pages.