

**FEATURES:**

- Forged brass construction.
- Thermostatic valve cartridge: 18.30.082
- Screw driver spring check valve: (2) 18.30.181
- 14.5 GPM @ 45PSI (9.5 top exit)
- Meets: ASME A112.18.1/CSA B125.1-2011

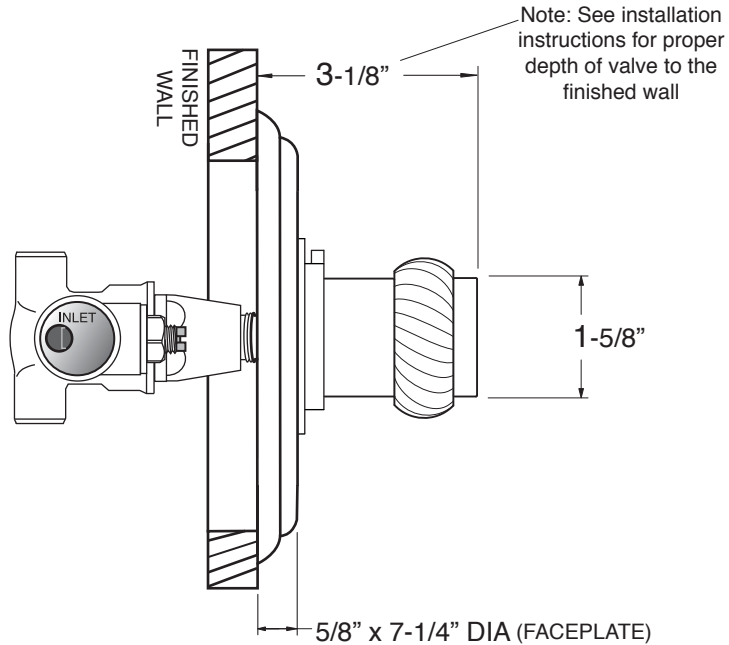
Note: Separate shut-offs required to operate system.

## 1/2" Thermostatic

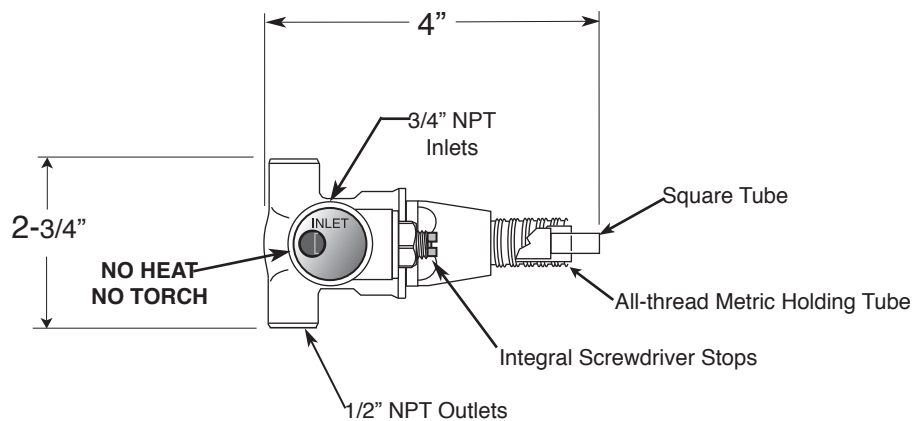
### No Volume Control Valve & Trim Seville Handle

1.001296.V0  
(1.001296.V0T Trim Only)

SIDE VIEW - INSTALLED



SIDE VIEW - VALVE ONLY



Note: Measurements are subject to change or cancellation. No responsibility is assumed for use of superseded or voided pages.