

FEATURES:

- Cast brass construction
- Thermostatic valve cartridge with cover plate: 18.30.147
- Thermostatic reverse cartridge with cover plate: 18.30.161
- 14.28 GPM @ 56 PSI top exit & 11.10 GPM bottom exit
- Meets: ASME A112.18.1/CSA B125.1-2011

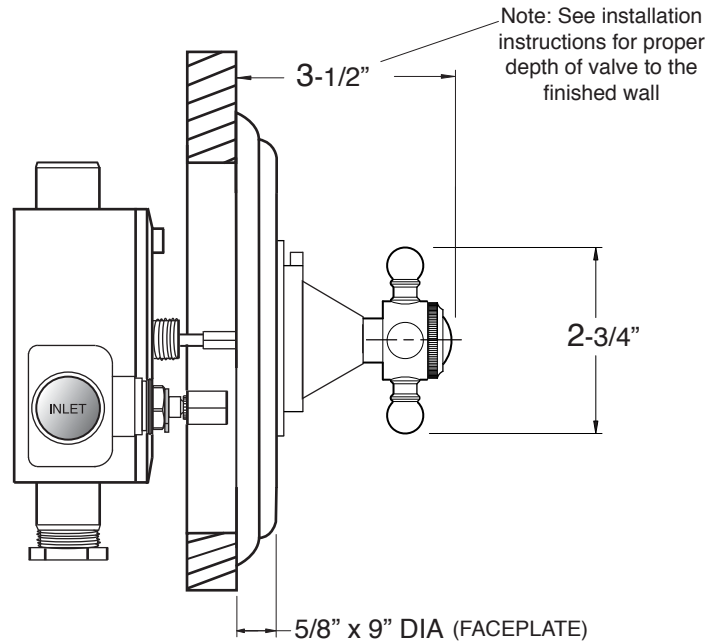
3/4" Thermostatic with Integral Stops

Valve & Trim Portsmouth Handle

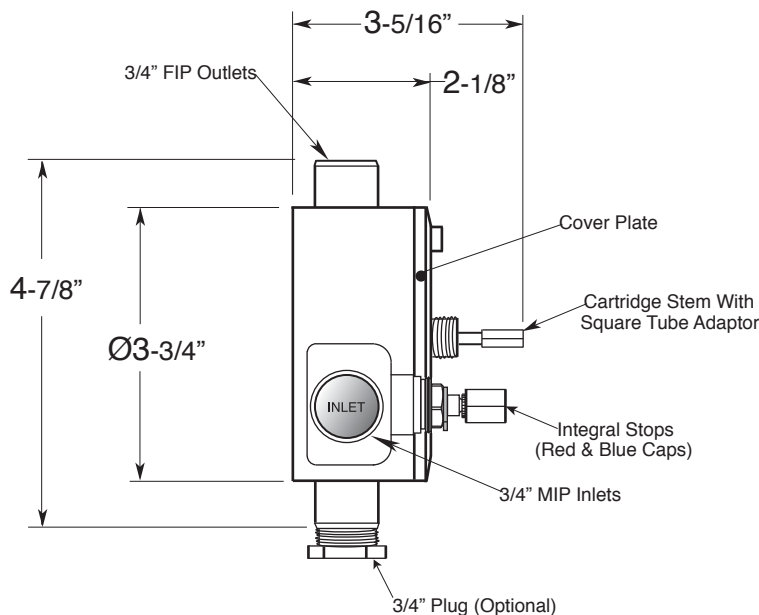
1.000697D
(1.000697DT Trim Only)

NOTE: Separate shut offs required to operate system.

SIDE VIEW - INSTALLED



SIDE VIEW - VALVE ONLY



Note: Measurements are subject to change or cancellation. No responsibility is assumed for use of superseded or voided pages.