

**Trim for Wall Valve**

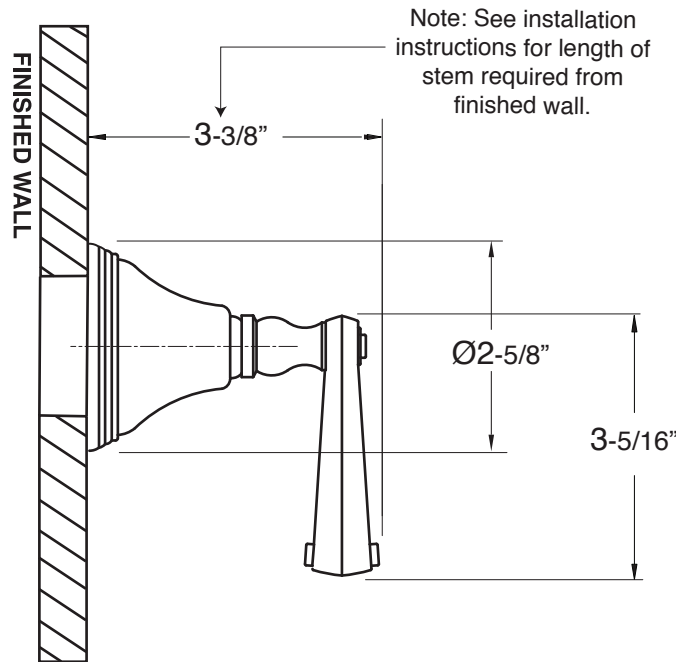
1.000487T

*Trim Only*

**Charlotte Handle**

**FEATURES:**

- All brass construction.
- Solid brass style handles.
- Available in all finishes. Warranty varies according to finish selection.
- Certified to meet or exceed the following codes and standards:  
ASME A112.18.1/CSAB 125.1-2012.



For this 16pt handle and trim, use with the following valves:

- 18.30.020 - 1/2" Volume Control - Replacement Cartridge: 18.30.036
- 18.30.023 - 3/4" Volume Control - Replacement Cartridge: 18.30.011
- 18.30.255 - 3 Port In-Wall Diverter - Replacement Cartridge: 18.30.259
- 18.30.253 - 4 Port In-Wall Diverter - Replacement Cartridge: 18.30.257