

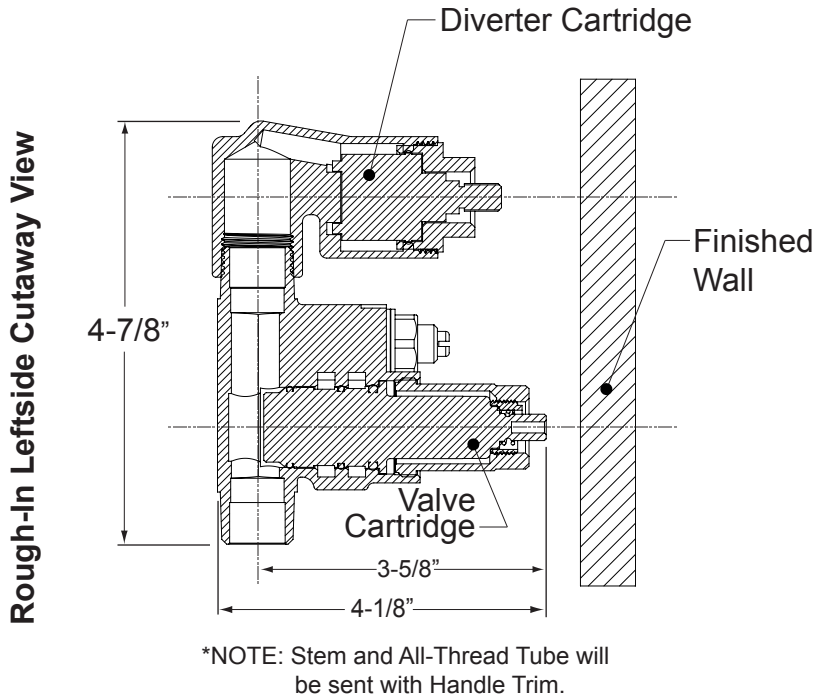
Features:

- Forged Brass Construction
- Adjustable Hot Limit Safety Stop with Push-In Override
- Flow capacity / Diverter - 4.5 GPM / 45 psi
- Certified to meet or exceed the following codes and standards:
ASME A112.18.1/CSAB 125.1-2012

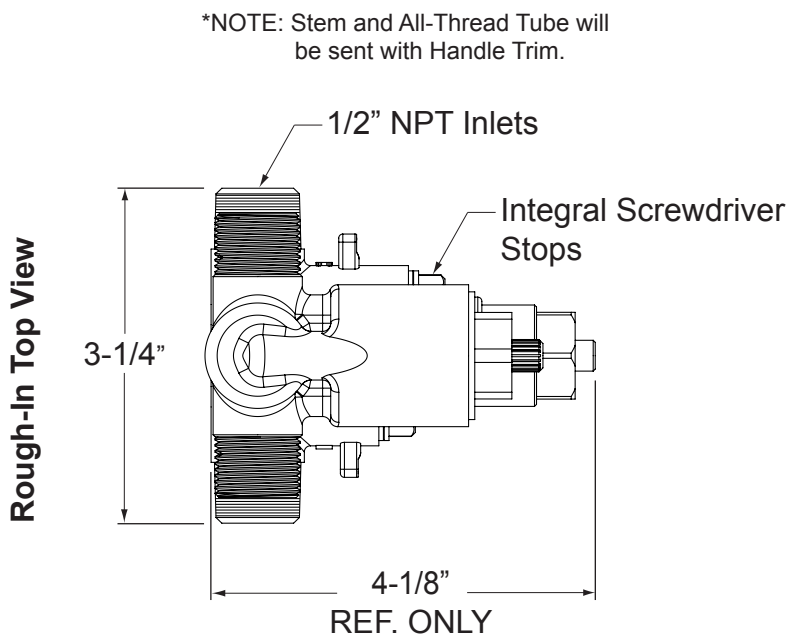
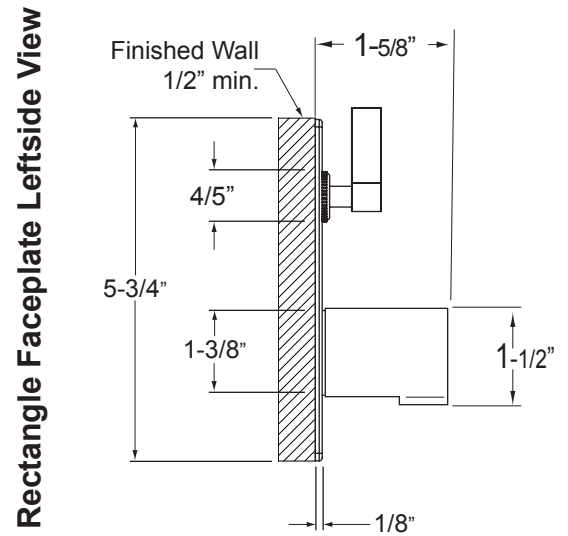
Nuance

E-Mini Therm Valve Remote Thermostatic Valve with Two-Way Diverter

1.0S3851T
5-3/4" x 3-3/4"



NOTE: MUST purchase Showerhead, Arm, Flange, and other options separately.



NOTE: Measurements are subject to change or cancellation. No responsibility is assumed for use of superseded or voided pages.