



Fitted inset ceramic sink available.



Ample interior storage drawers feature dove-tail construction and ball-bearing glides.



Beautiful walnut veneers.



Matching mirror with beveled glass.



A wide variety of configurations is possible with just a few components.

MODESTA  
WALNUT



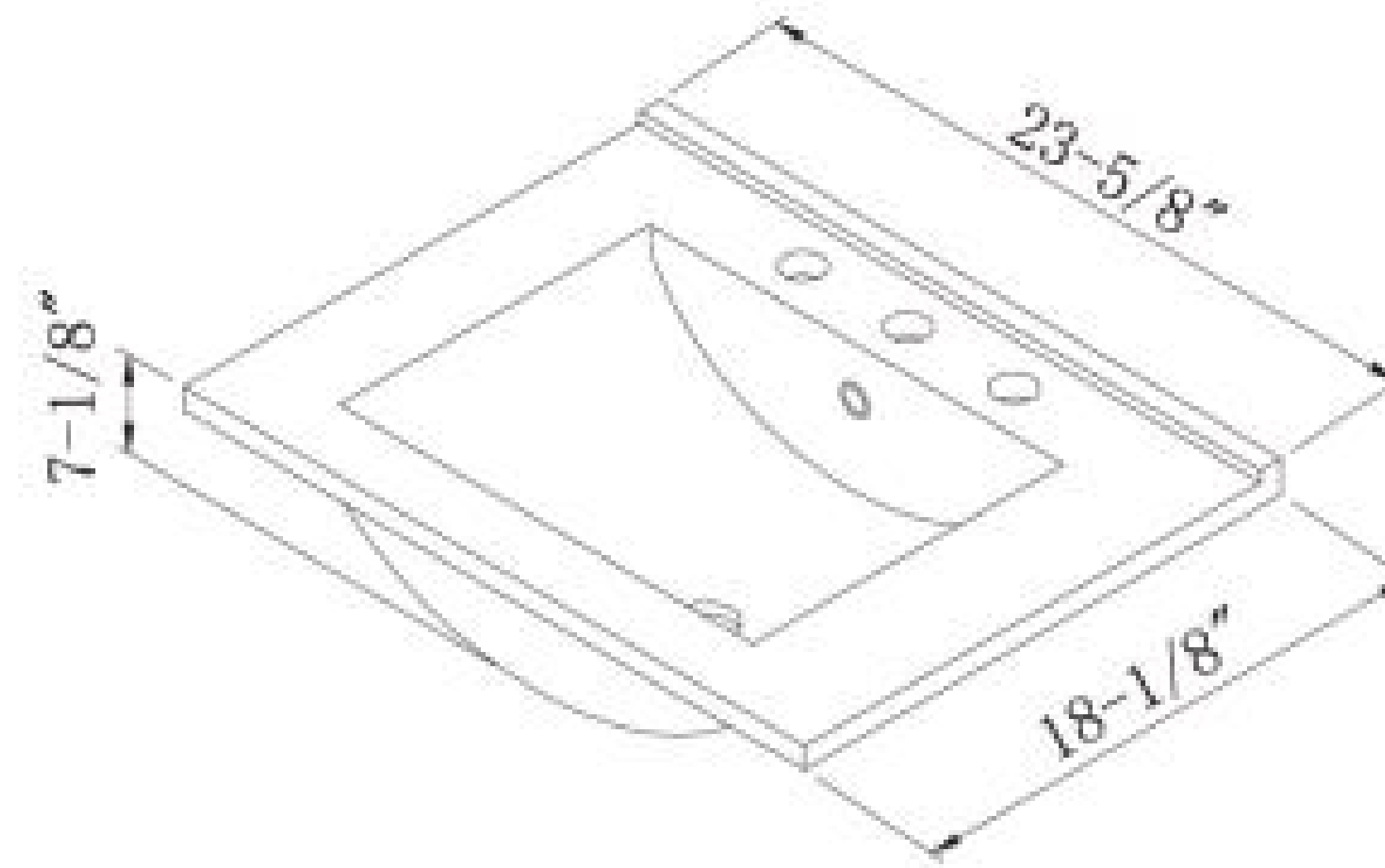
\*Stone top, vessel sink, and faucet set not included.

The Modesta Walnut Collection from Sagehill Designs is a classic contemporary collection with simple lines and surfaces.

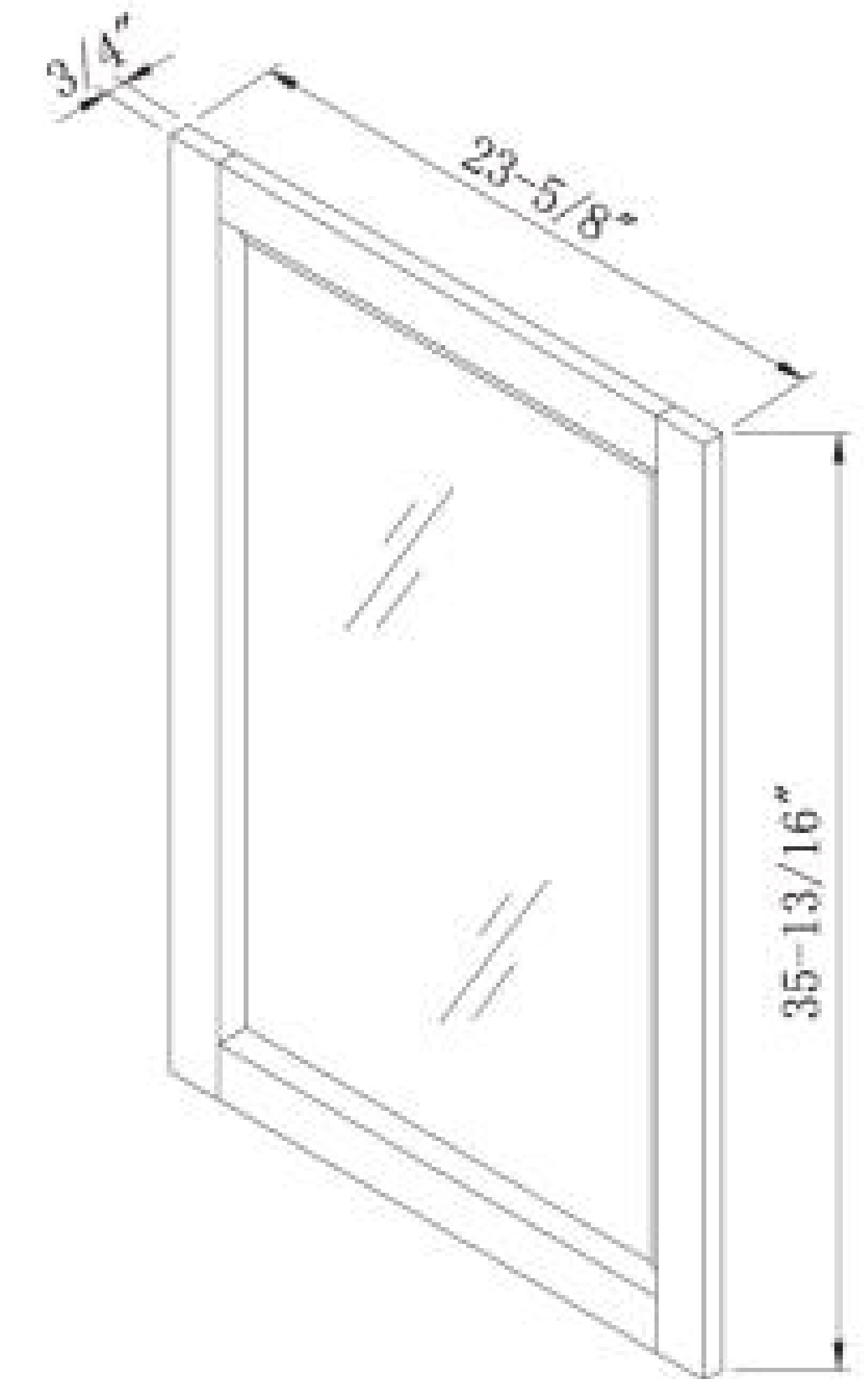
Created for the smaller bath environment, this modular collection can be configured to address the functional and style needs of the urban bath environment.

## Features Include:

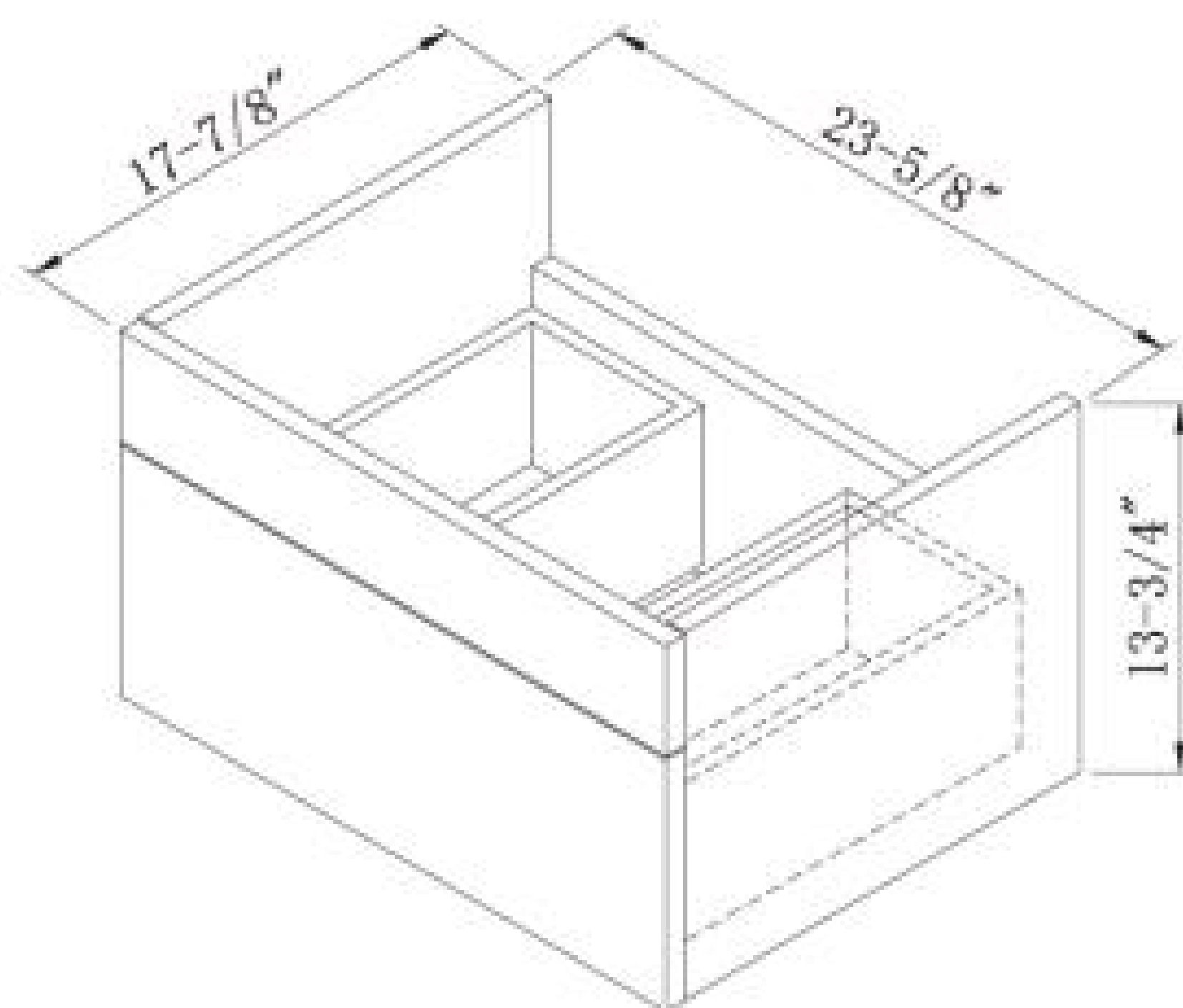
- \* Beautiful walnut veneers.
- \* Dovetail drawer construction.
- \* Soft-close mechanisms.
- \* Full extension drawer glides.
- \* Matching ceramic sink insert available.
- \* Design allows for vessel sinks with stone tops.
- \* Matching mirror and medicine cabinet.
- \* Accenting wall storage unit.



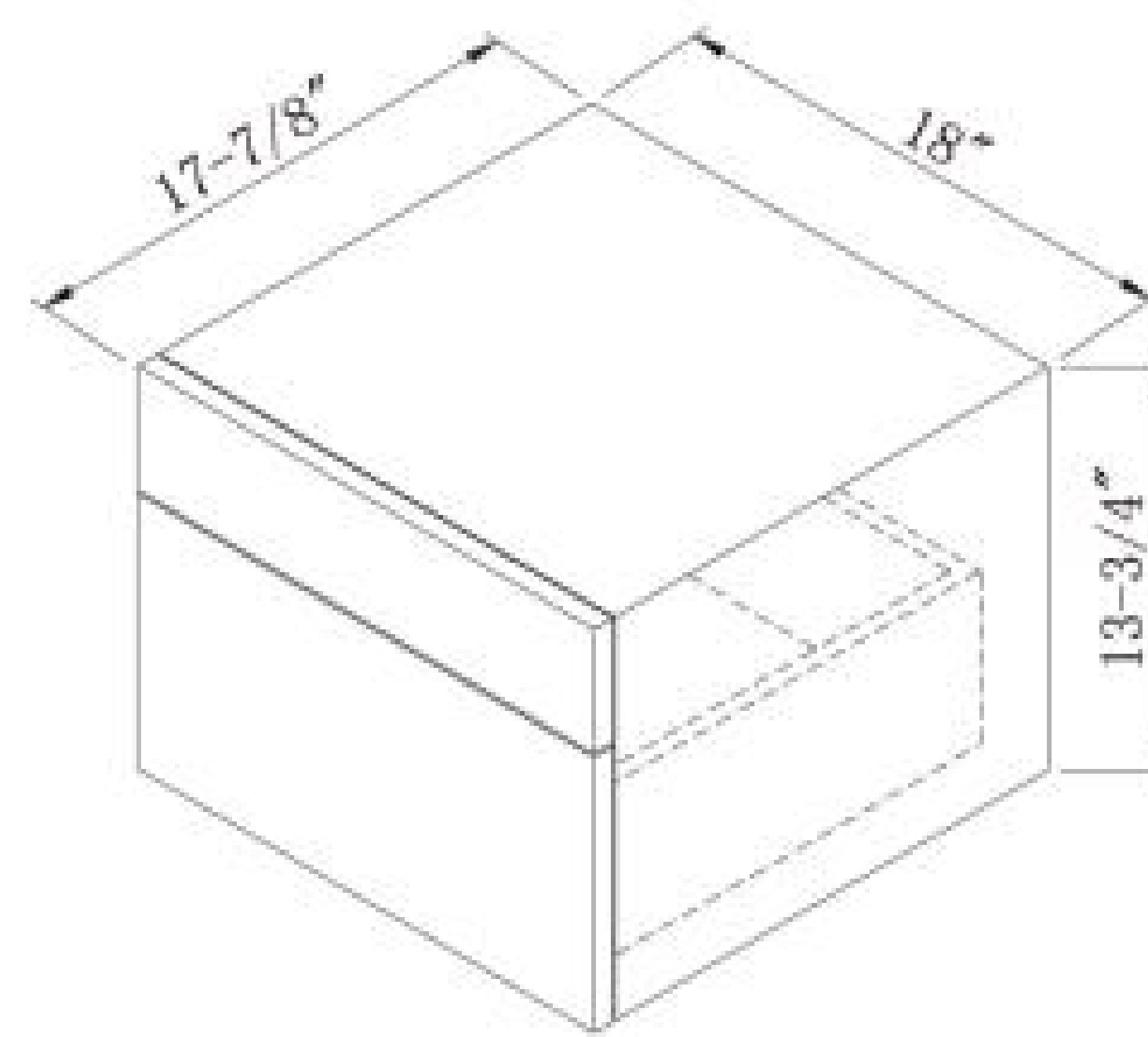
RC2418-W



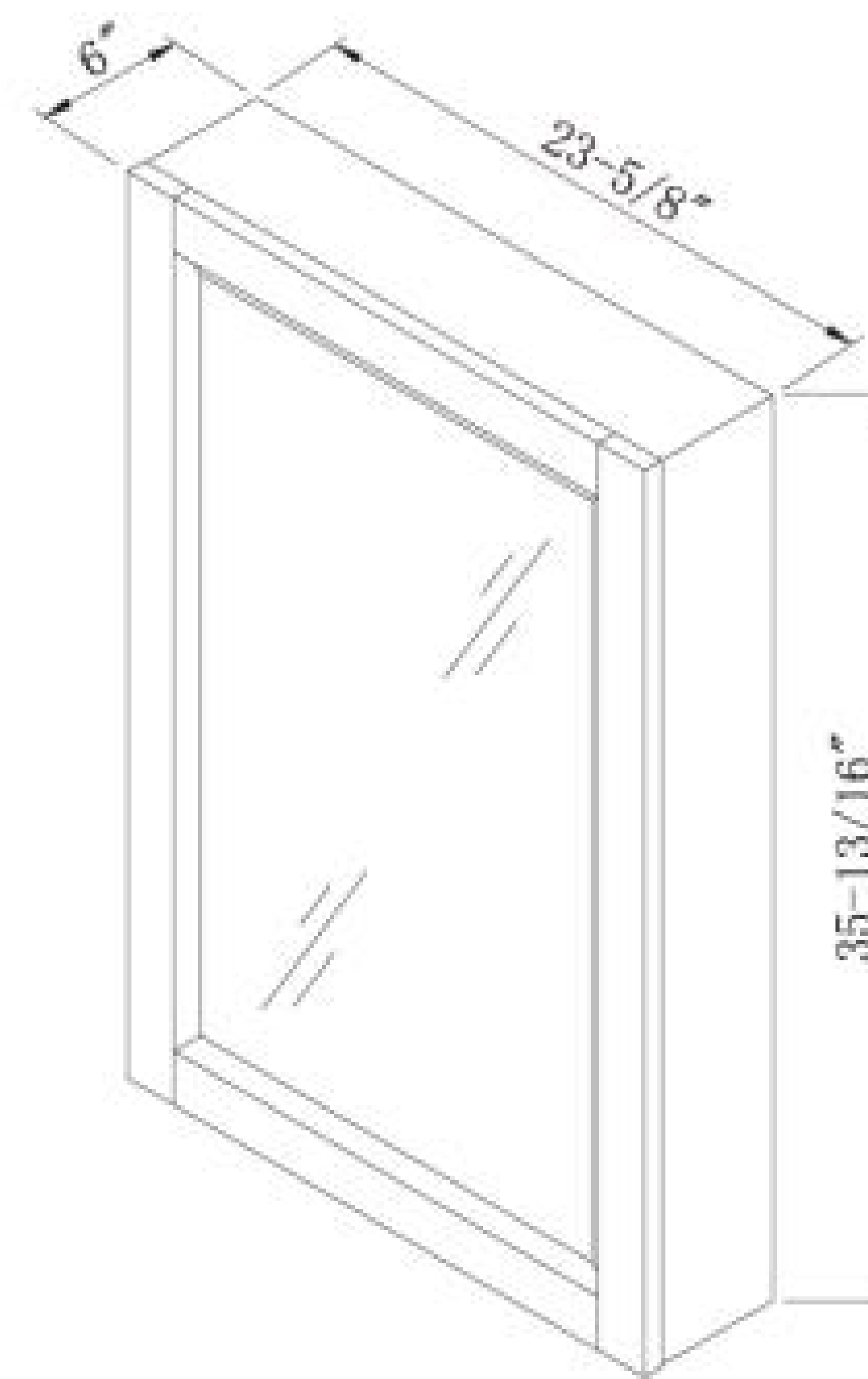
MT2436MR



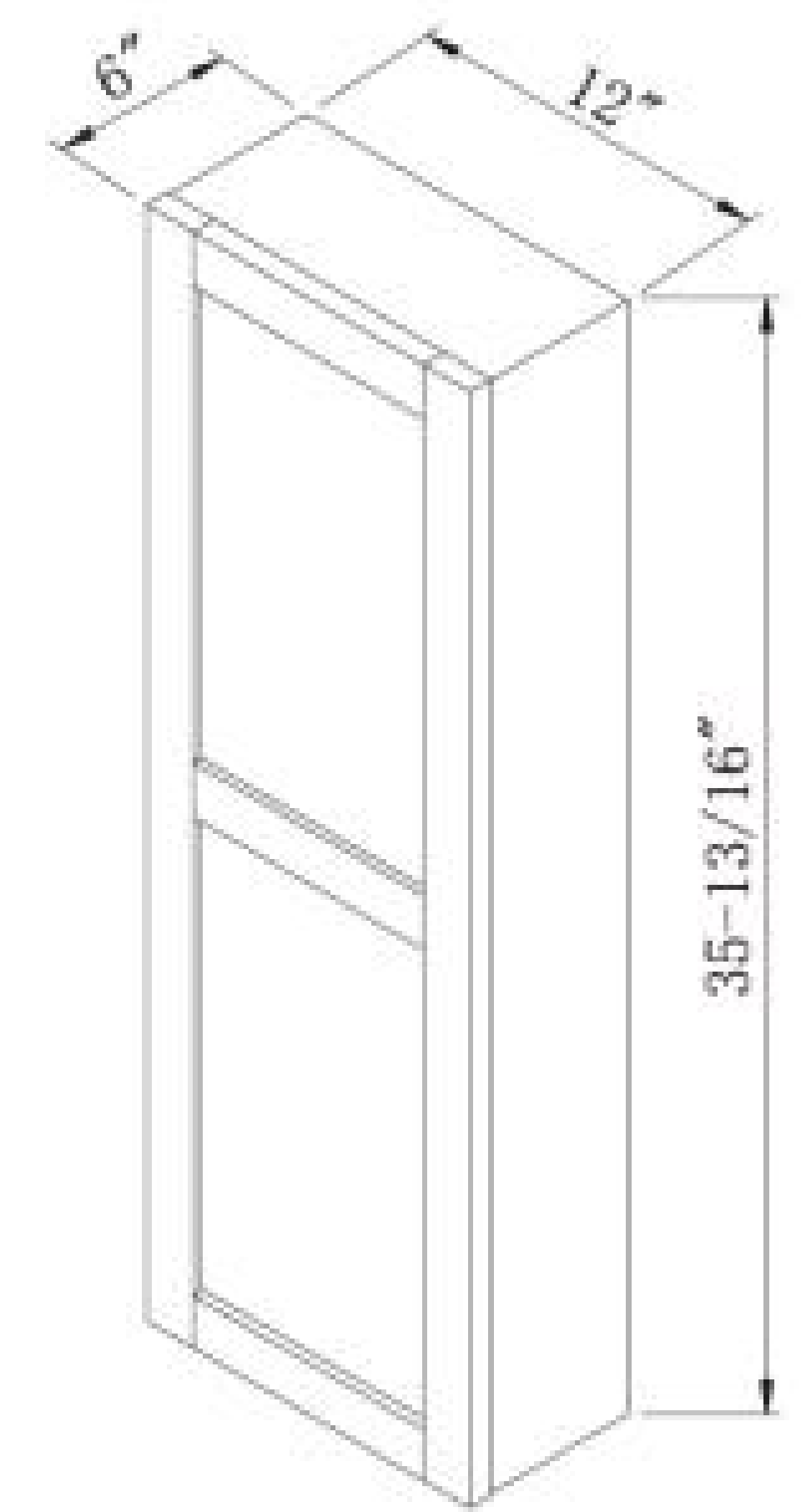
MT2418D



MT1818D



MT2436M



MT1236W

Comprised of just a few basic items, the Modesta Walnut collection is amazingly flexible in regards to the number of configurations that can be achieved with those few items. Add to that the clean, minimalist design aesthetic and you have a vanity collection that will complement a wide variety of urban bath environments.

The components feature select hardwood solids and decorative maple veneers. The storage drawers feature dovetail construction, soft-close mechanisms, and full-extension drawer glides. Finished in a durable light maple finish adds to the fresh and contemporary styling.

Accenting pieces like the portrait mirror, medicine cabinet, and hanging storage pieces allows this collection from Sagehill Designs to be the utmost in style, function, and versatility.

# Sagehill Designs

by  
Sunny Wood Company



Note: Printed finish representations are for general reference only. Contact your dealer to view actual finish samples. As our policy is to continually improve design, we reserve the right to modify details or change specifications without prior notice. Copyright 2019: Sagehill Designs. All rights reserved.