

**Feature**

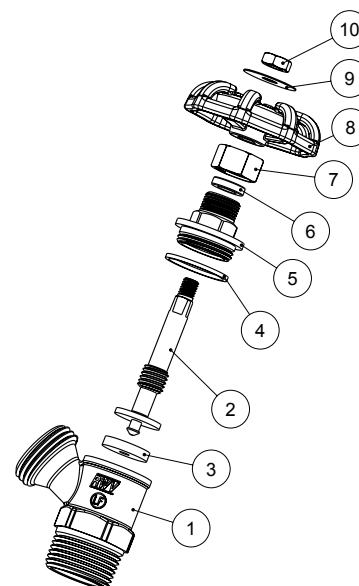
- 125# CWP
- Low Lead Brass Body
- No-Kink Spout
- MNPT X Hose
- 1/2" will also accept copper tube for solder joint
- AB1953, NSF/ANSI 61 & 372 certified



Pressure/ Temperature Rating	
125 CWP	180 °F max. temperature

**Material**

	Part	Material	Specification
1	Body	Lead Free Brass	ASTM B927 C27450
2	Stem	Lead Free Brass	ASTM B927 C27450
3	Seat gasket	NBR 70SH	NSF approved
4	Bonnet gasket	PTFE	-
5	Bonnet	Lead Free Brass	ASTM B927 C27450
6	Packing ring	PTFE	-
7	Packing nut	Brass	ASTM B124 C37700
8	Handwheel	Steel	-
9	Disc	Aluminum	-
10	Nut	Steel / Zn plated	ASTMA36



**Dimension**

Size	T	S [in]	F	A [in]	C [in]	H [in]	B [in]	P [in]	D [in]	Wt. L [lb]
1/2"	1/2 - 14NPT	0.627-0.631	3/4 11.5NH	1.46	0.61	3.43	2.09	0.51	0.47	0.44
3/4"	3/4 - 14NPT	-	3/4 11.5NH	1.46	0.62	3.44	2.09	0.51	0.47	0.46

