

Feature

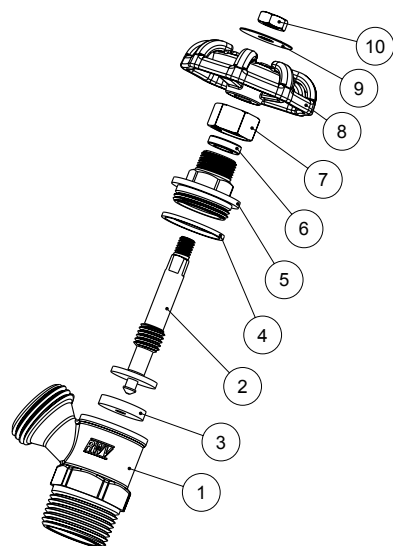
- 125# CWP
- Brass body
- No-kink spout
- MNPT x Hose
- 1/2" will also accept copper tube for solder joint



Pressure/ Temperature Rating	
125 CWP	180 °F max. temperature

Material

	Part	Material	Specification
1	Body	Brass	ASTM B124 C37700
2	Stem	Brass	ASTM B124 C37700
3	Seat gasket	NBR 70SH	NSF approved
4	Bonnet gasket	PTFE	-
5	Bonnet	Brass	ASTM B124 C37700
6	Packing ring	PTFE	-
7	Packing nut	Brass	ASTM B124 C37700
8	Handwheel	Steel	-
9	Disc	Aluminum	-
10	Nut	Steel / Zn plated	ASTM A36



Dimension

Size	T	S [in]	F	A [in]	C [in]	H [in]	B [in]	P [in]	D [in]	Wt. L [lb]
1/2"	1/2 - 14NPT	0.627-0.631	3/4 11.5NH	1.46	0.61	3.43	2.09	0.51	0.47	0.44
3/4"	3/4 - 14NPT	-	3/4 11.5NH	1.46	0.62	3.44	2.09	0.51	0.47	0.46

