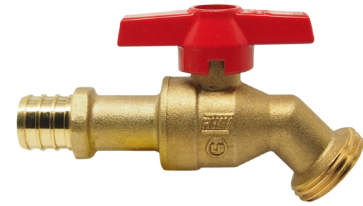


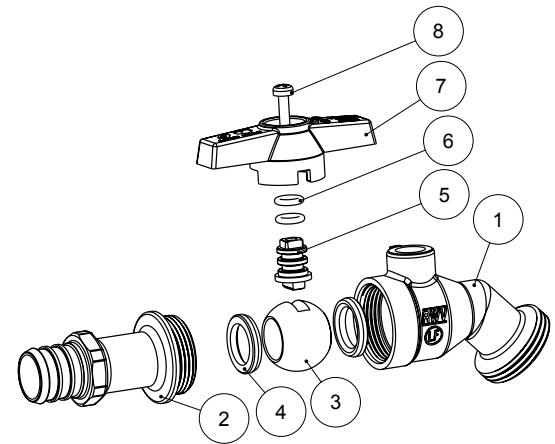
Feature

- 125# CWP
- Low Lead Brass Body
- Virgin PTFE Seats
- PEX (F1807) x Hose
- No Kink Spout
- Double NBR O-ring Packing
- AB1953, NSF/ANSI 61 & 372 certified



Material

| | Part | Material | Specification |
|---|------------|--------------------------|---------------|
| 1 | Body | Low Lead Brass | C28000 |
| 2 | End piece | Low Lead DZR Brass | C27453 |
| 3 | Ball | Low Lead Brass/Cr Plated | C28000 |
| 4 | Seat | PTFE | PTFE |
| 5 | Stem | Low Lead Brass | C28000 |
| 6 | O-ring | NBR | NSF Approved |
| 7 | Handle | Aluminum | - |
| 8 | Handle nut | Steel / Zn Plated | ASTM 36 |



Dimension

| | A | A1 | H | H1 | L | P | C | B | Wt. L |
|------|------|------|------|------|------|------|------|------|-------|
| | [in] | [in] | [in] | [in] | [in] | [in] | [in] | [in] | [lb] |
| 1/2" | 3.98 | 2.26 | 1.37 | 0.91 | 2.20 | 0.50 | 0.24 | 0.71 | 0.38 |
| 3/4" | 3.98 | 2.26 | 1.37 | 0.91 | 2.20 | 0.50 | 0.24 | 0.71 | 0.39 |

