



Figure # RW-302PP

Polypropylene "No Kink" Hose Bibb

Product Features

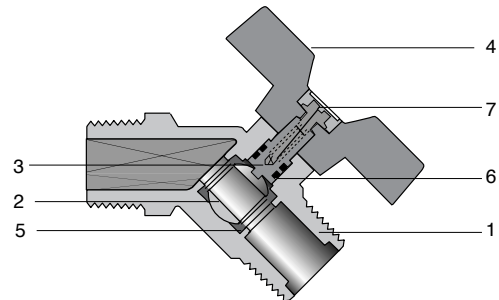
- Unobstructed Waterway
- Double O-Ring Stem Packing
- PTFE Seats
- Washerless Construction
- Temperature Range -4°F to +200°F
- Quarter Turn



Materials & Specifications

Item	Description	Material	Specification
1	Body	Polypropylene*	
2	Ball	Forged brass (Hard chromium plated)	ASTM B283-C37700
3	Stem	Brass rod	ASTM B124-C#7700
4	Handle	Nylon	
5	Seat	PTFE	
6	O-ring	Buna-N	
7	Bolt	Steel	A36

* With ultra-violet prohibitor



Dimensions, Weights (inches-lbs.) & Valve Data

Size	1/2	3/4
L	2.92	3.09
H	1.76	1.76
Wt	0.18	0.18

