



ECO-VALVE

Figure # RW-301AB

Low Lead Brass Hose Bibb

Product Features

- 125# CWP
- Low Lead Brass Body
- MNPT x Hose
(1/2" also accept solder joint)
- Adjustable Packing
- NSF-61-G & NSF-372 Certified

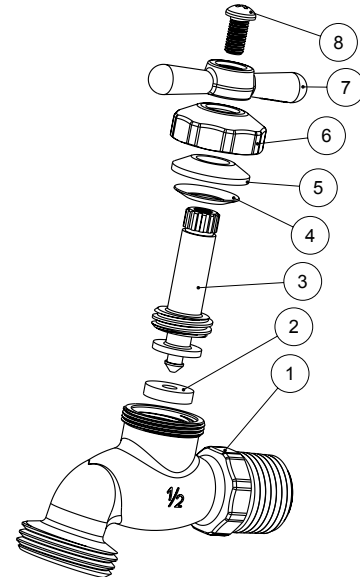


Certified to
ANSI/NSF 61



Materials & Specifications

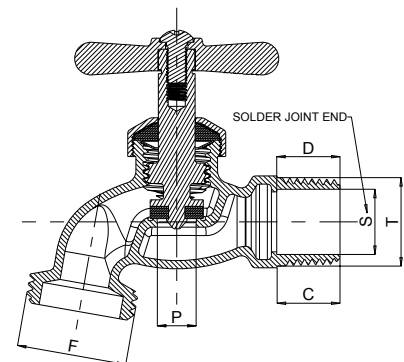
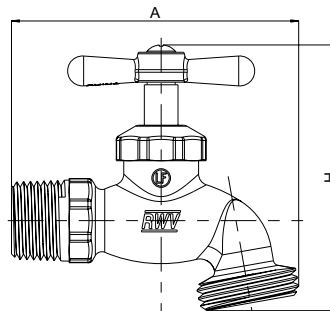
Item	Description	Material	Specification
1	Body	Low Lead Brass	C28000
2	Seat gasket	NBR	NSF approved
3	Stem	Low Lead Brass	C28000
4	Stop ring	Stainless Steel	430SS
5	Packing	NBR	NSF approved
6	Packing nut	Brass	C37700
7	Handle	Brass	C37700
8	Handle screw	Brass	C37700



Dimensions, Weights (inches-lbs.) & Valve Data

Size	1/2	3/4
T	1/2 - 14 NPT	3/4 - 14 NPT
S	0.627 - 0.631	(*)
F	3/4 11.5 NH	3/4 11.5 NH
A	3.03	2.68
C	0.61	0.62
H	2.80	2.80
P	0.37	0.37
D	0.61	(*)
Wt	0.34	0.38

(*) Additional solder joint available only for 1/2"



RED-WHITE VALVE CORP.

20600 Regency Lane, Lake Forest, CA 92630

TEL: 949.859.1010 • FAX: 949.859.7200 • www.redwhitevalvecorp.com

(160218)