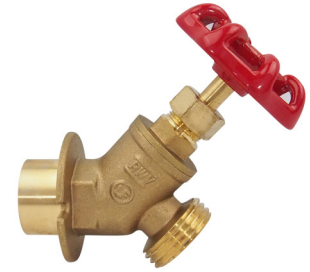


**Feature**

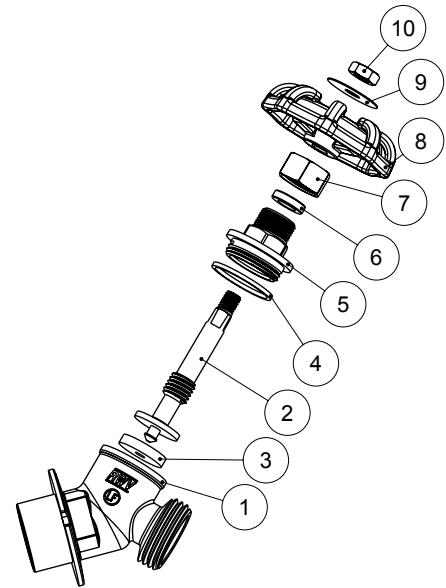
- 125# CWP
- Lead free brass body
- No-Kink spout
- Solder X Hose
- Solder end (ASME B16.22)
- AB1953, NSF/ANSI 61 & 372 certified



Pressure/ Temperature Rating	
125 CWP	180 °F max. temperature

**Material**

	Part	Material	Specification
1	Body	Lead Free Brass	ASTM B927 C27450
2	Stem	Lead Free Brass	ASTM B927 C27450
3	Seat gasket	NBR 70SH	NSF approved
4	Bonnet gasket	PTFE	-
5	Bonnet	Lead Free Brass	ASTM B927 C27450
6	Packing ring	PTFE	-
7	Packing nut	Brass	ASTM B124 C37700
8	Handwheel	Steel	-
9	Disc	Aluminum	-
10	Nut	Steel / Zn plated	A36



**Dimension**

	S	F	A	C	H	B	P	D	Wt.
			[in]	[in]	[in]	[in]	[in]	[in]	[lb]
1/2"	0.627 - 0.631	3/4 11.5NH	3.35	0.51	3.35	2.09	0.51	0.47	0.48
3/4"	0.877 - 0.881	3/4 11.5NH	3.58	0.75	3.35	2.09	0.51	0.47	0.53

