

Feature

- 125# CWP
- Lead free brass body
- Solder x Solder
- Solder ends (ASME B16.22)
- Adjustable packing
- Drain plug
- AB1953, NSF/ANSI 61 & 372 certified

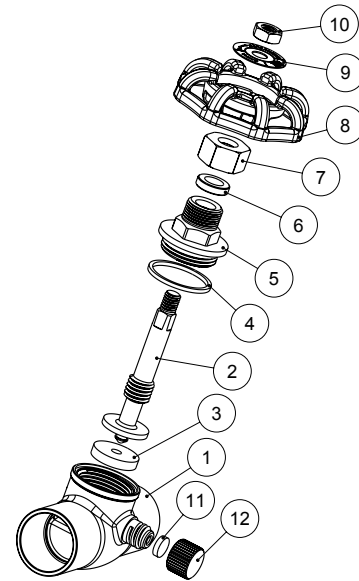


Pressure/ Temperature Rating	
125 CWP	180 °F max. temperature

Connection Working Pressure		
Solder used in joint	Working temp (°F)	Max. working pressure (PSI)
95-5 Tin antimony (ASTM B32 grade 95TA)	100	500
	150	400
	200	300
	250	200

Material

	Part	Material	Specification
1	Body	Lead Free Brass	ASTM B927 C27450
2	Stem	Lead Free Brass	ASTM B927 C27450
3	Seat gasket	NBR 70SH	NSF approved
4	Bonnet gasket	PTFE	-
5	Bonnet	Lead Free Brass	ASTM B927 C27450
6	Packing ring	PTFE	-
7	Packing nut	Brass	ASTM B124 C37700
8	Handwheel	Steel	ASTM A36
9	Disc	Aluminum	-
10	Nut	Steel / Zn plated	ASTM A36
11	Cap gasket	NBR 70SH	NSF approved
12	Plug	Brass	ASTM B124 C37700



Dimension, Weight

Size	A [in]	H (open) [in]	L [in]	M [in]	Wt. [lb]
1/2"	2.06	2.48	2.09	0.98	0.44
3/4"	2.68	2.56	2.09	1.10	0.58

