

DZR Brass Union with Air Vent and Test Point

Feature

DZR brass union body with manual air vent and test point
Body available:

- FNPT (ASME B1.20.1 - NPT)
- Solder (ASME B16.22)

Tailpiece available:

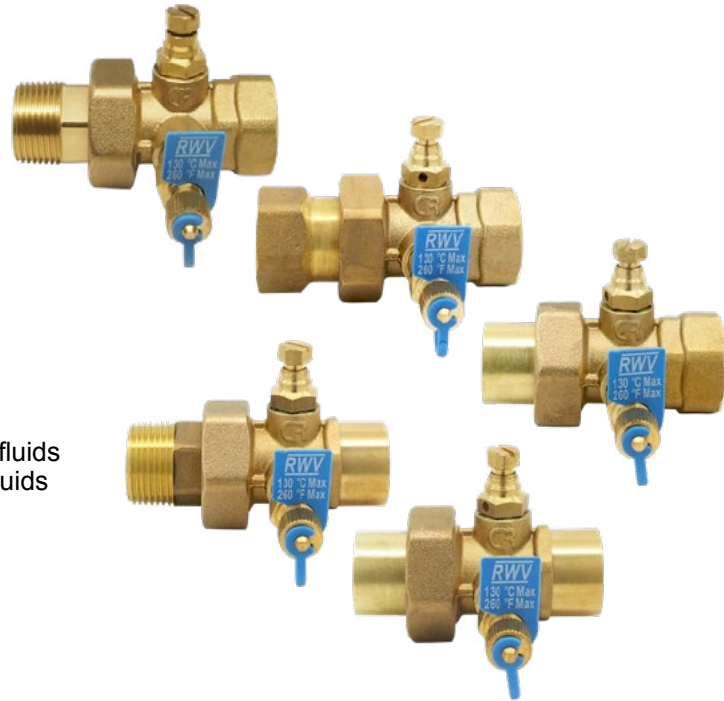
- FNPT (ASME B1.20.1 - NPT)
- MNPT (ASME B1.20.1 - NPT)
- Solder (ASME B16.22)



400WOG

Working conditions:

- Water: from 15°F to 260°F
- below 32°F only for water with added antifreezing fluids
- over 212°F only for water with added anti-boiling fluids

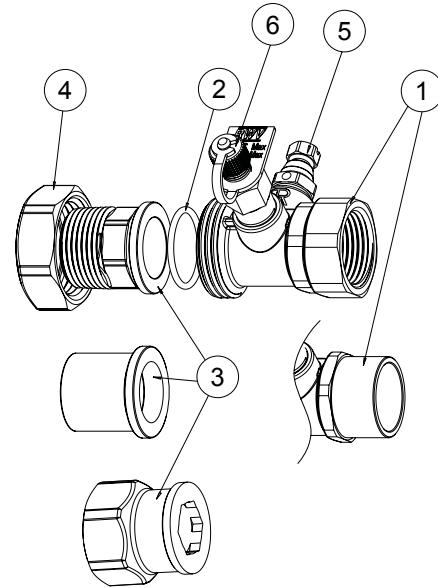


Material

	Part	Material	Specification
1	Body	DZR Brass	ASTM B283 C35330
2	O-ring	EPDM Perox	-
3	Tailpiece ¹	DZR Brass	ASTM B283 C35330
4	Union nut	Brass	ASTM B283 C37700
5	Vent	DZR Brass	ASTM B283 C35330
6	Test point	DZR Brass ²	ASTM B283 C35330

¹ FNPT tailpiece with integral swivel nut

² Test points with EPDM Perox gaskets and polypropylene ties

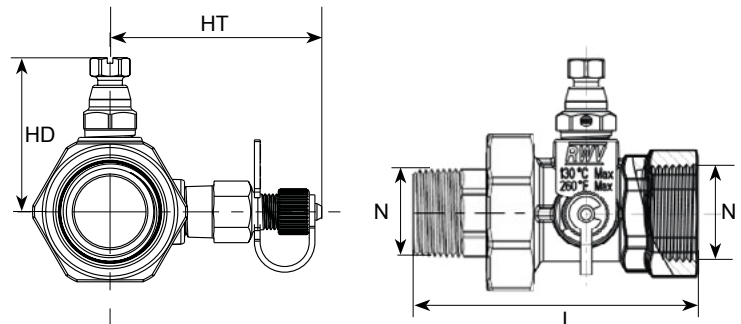


Dimension, Weight

92UN-FM

Size	N [in]	L [in]	HD [in]	HT [in]	Weight [lb]
½"	½ - 14 NPT	3.07	1.61	2.20	0.58
¾"	¾ - 14 NPT	3.15	1.61	2.20	0.64
1"	1 - 11.5 NPT	3.52	1.87	2.32	0.84
1¼"	1¼ - 11.5 NPT	3.62	2.00	2.48	1.10
1½"	1½ - 11.5 NPT	4.01	2.10	2.46	1.81
2"	2 - 11.5 NPT	4.09	2.36	2.83	2.18

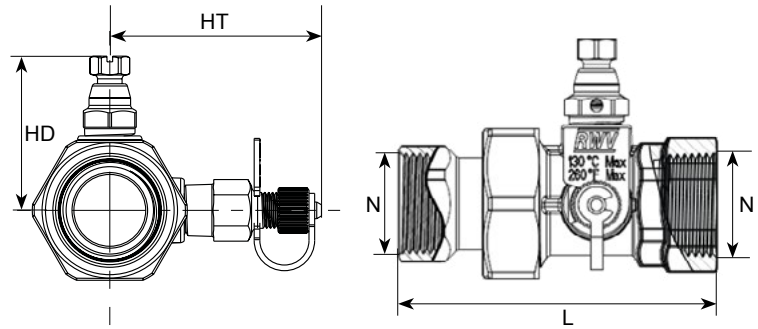
* Male tailpiece can be downsized. Call for availability.



92UN-FF

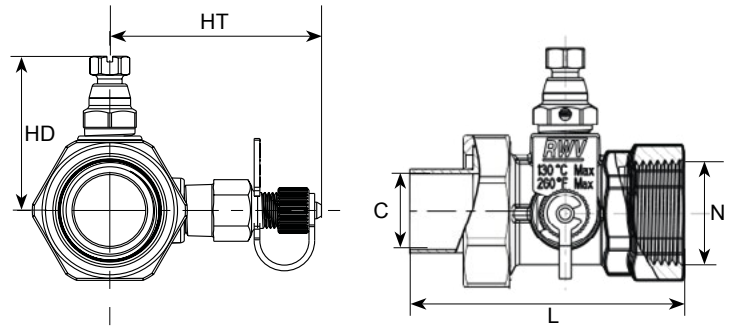
Size	N [in]	L [in]	HD [in]	HT [in]	Weight [lb]
1/2"	1/2 - 14 NPT	3.07	1.61	2.2	0.58
3/4"	3/4 - 14 NPT	3.15	1.61	2.2	0.64
1"	1 - 11.5 NPT	3.52	1.87	2.32	0.84
1 1/4"	1 1/4 - 11.5 NPT	3.62	2	2.48	1.10

* Female tailpiece can be downsized. Call for availability.



92UN-FS

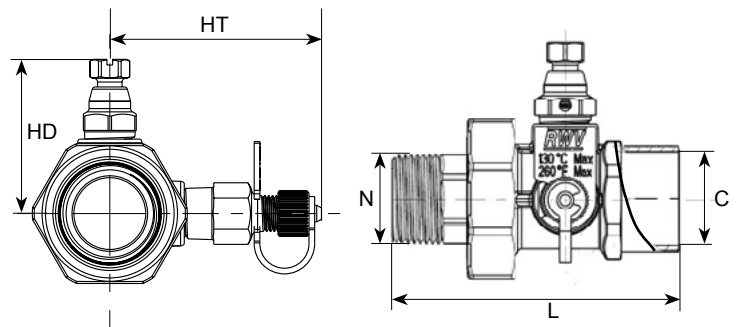
Size	N	C [in]	L [in]	HD [in]	HT [in]	Weight [lb]
1/2"	1/2 - 14 NPT	0.627-0.631	2.55	1.61	2.20	0.53
3/4"	3/4 - 14 NPT	0.877-0.881	3.07	1.61	2.20	0.58
1"	1 - 11.5 NPT	1.128-1.131	3.27	1.87	2.32	0.64
1 1/4"	1 1/4 - 11.5 NPT	1.378-1.381	3.42	2.00	2.48	1.01
1 1/2"	1 1/2 - 11.5 NPT	1.628-1.632	3.72	2.10	2.46	1.66
2"	2 - 11.5 NPT	2.128-2.132	3.83	2.36	2.83	1.95



92UN-SM

Size	N	C [in]	L [in]	HD [in]	HT [in]	Weight [lb]
1/2"	1/2 - 14 NPT	0.627-0.631	3.01	1.61	2.20	0.54
3/4"	3/4 - 14 NPT	0.877-0.881	3.34	1.61	2.20	0.62
1"	1 - 11.5 NPT	1.128-1.131	3.68	1.87	2.32	0.78
1 1/4"	1 1/4 - 11.5 NPT	1.378-1.381	3.82	2.00	2.48	1.05
1 1/2"	1 1/2 - 11.5 NPT	1.628-1.632	4.32	2.10	2.46	1.75
2"	2 - 11.5 NPT	2.128-2.132	4.68	2.36	2.83	2.18

* Male tailpiece can be downsized. Call for availability.



92UN-SS

Size	C [in]	L [in]	HD [in]	HT [in]	Weight [lb]
1/2"	0.627-0.631	2.47	1.61	2.20	0.50
3/4"	0.877-0.881	3.07	1.61	2.20	0.57
1"	1.128-1.131	3.44	1.87	2.32	0.77
1 1/4"	1.378-1.381	3.62	2.00	2.48	0.96
1 1/2"	1.628-1.632	4.03	2.10	2.46	1.60
2"	2.128-2.132	4.42	2.36	2.83	1.95

