



Figure # 7770
Carbon Steel Ball Valve (1/4"-2")

Product Features

- 2000# WOG/100# WSP
- Carbon Steel 2-Piece Body
- Threaded Ends
- Regular Port
- Blow-Out Proof Stem
- Reinforced PTFE seats
- Locking handle
- MSS-SP-110

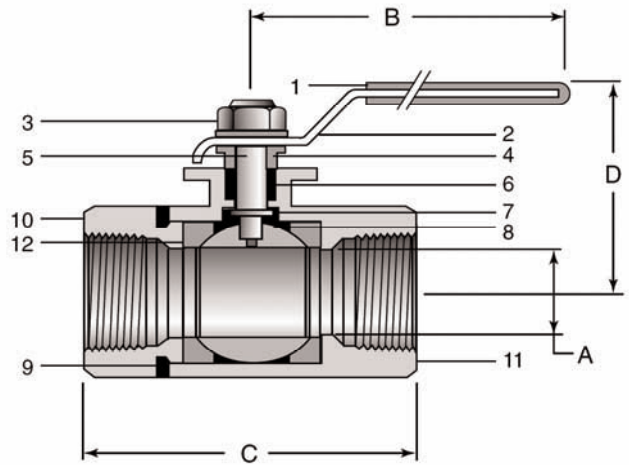


Pressure/Temperature Ratings

100 PSI max steam/ 2000# WOG	360 degrees F. max temp.
------------------------------	--------------------------

Materials & Specifications

Item	Description	Material	Specification
1	Lever sleeve	Vinyl	-
2	Lever	Steel (plated)	A36
3	Lever Nut	Steel (plated)	A36
4	Gland	Carbon Steel	A108
5	Stem	Stainless Steel	A276 316
6	Packing	PTFE	-
7	Washer	PTFE	-
8	Ball	Stainless Steel	A276 316
9	Gasket	PTFE	-
10	Body Cap	Carbon Steel	A216 WCB
11	Body	Carbon Steel	A216 WCB
12	Seat	PTFE	-



Dimensions, Weights (inches-lbs.) & Valve Data

Size	1/4	3/8	1/2	3/4	1	1-1/4	1-1/2	2
A	.43	.49	.49	.69	.87	.98	1.25	1.49
B	4	4	4	5	5	6	6	7.4
C	2.3	2.3	2.4	3.1	3.5	4	4.4	5.4
D	2	2	2	2.5	2.6	3.3	3.5	3.7
Wt.- lbs.	.75	.75	.7	1.3	1.7	3.2	4.4	5.8

