

Feature

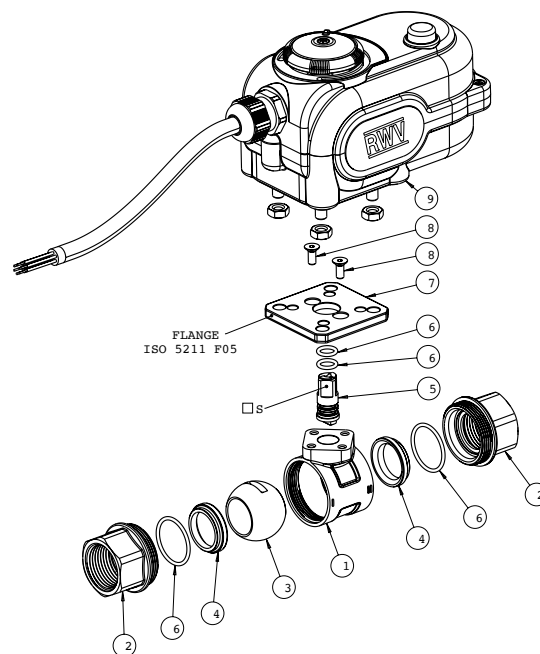
- 150# WSP / 600# WOG
- Brass body
- Full port
- Double O-ring
- FNPT x FNPT
- Threaded ends (ASME B1.20.1-NPT)
- Chrome plated ball
- Virgin PTFE seats
- Blow-out proof stem
- Low-torque design

Meet BAA requirement

Pressure/ Temperature rating	
600 psi from 15 °F to 160 °F	150 psi max. at 250 °F

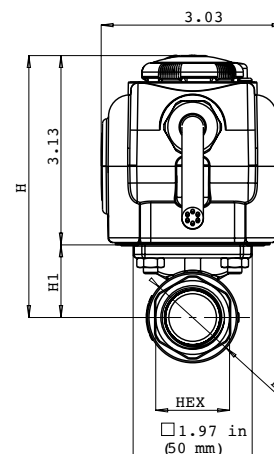
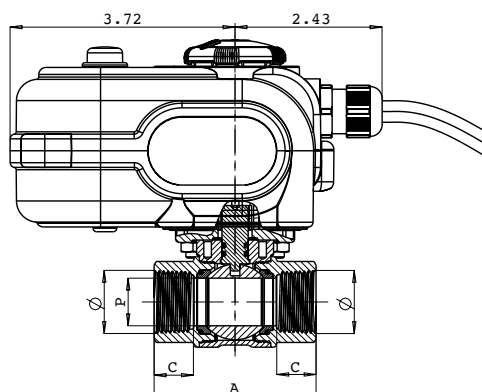
Material

	Part	Material	Specification
1	Body	Brass	ASTM B283 C37700
2	End piece	Brass	ASTM B283 C37700
3	Ball	Brass / Cr plated	ASTM B283 C37700
4	Seat	PTFE	PTFE
5	Stem	Brass	ASTM B124 C37700
6	O-ring	EPDM Perox	NSF approved
7	Actuator flange	Aluminum	ASTM B85 A03840
8	Screw	Stainless steel	UNI 5933-67
9	Actuator	-	-



Dimension, Cv, Weight

Size	Φ	A [in]	D [in]	HEX [in]	H [in]	H1 [in]	□S		P [in]	C [in]	Cv	Wt. [lb]
							[in]	[mm]				
½"	½ - 14 NPT	2.28	1.22	1.02	4.22	1.09	0.35	9	0.59	0.61	17	2.64
¾"	¾ - 14 NPT	2.66	1.50	1.22	4.33	1.20	0.35	9	0.79	0.65	34	2.86
1"	1 - 11.5 NPT	3.19	1.81	1.54	4.48	1.35	0.35	9	0.98	0.77	58	3.34
1¼"	1¼ - 11.5 NPT	3.69	2.28	1.89	4.70	1.57	0.35	9	1.26	0.85	110	4.04
1½"	1½ - 11.5 NPT	4.06	2.80	2.17	5.21	2.08	0.43	11	1.57	0.85	172	4.98
2"	2 - 11.5 NPT	4.90	3.50	2.64	5.51	2.38	0.43	11	1.97	0.98	269	6.74



Actuator Feature

Electric actuator with ISO 5211 connection
 Double insulated cover according CEI/EN 60335-1
 Max torque 11.1 ft-lb, working torque 5.90 ft-lb
 Travel 90° in 60 seconds
 Manual override, integral heater
 F05 connection, stem connection □0.35 inch or □0.43 inch
 With 31.5 inch electric wire
 Enclosure protection IP65

Power supply 50Hz/60Hz, 24VAC
 3 point control
 Auxiliary dry open limit switch (Max 230 VAC / 6A)

Working temperature: 15 °F to 160 °F

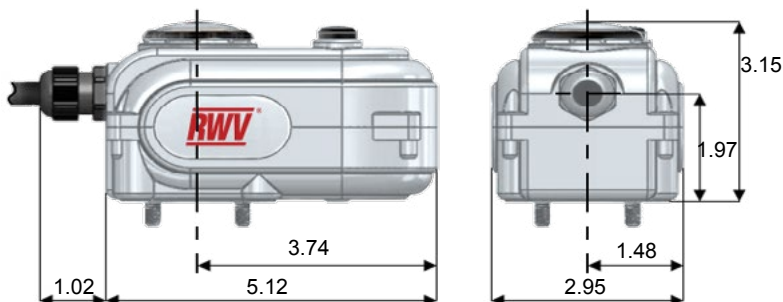
Meet BAA requirement

Actuator Technical data

RWV code	P. Supply	Control	Power
SLOOP2-024-3PT-0	24VAC	3 points	5W

Actuator Dimension (inch), Weight

Weight: 1.76lb



Actuator Wiring Diagram

Ref.	Designation
OXS	Auxiliary open limit switch
T	Control switch (thermostat)
H	Integral heater
N	Wiring to neutral
Ph	Wiring to phase

