



# Figure # 5910 / 5920

Actuated Ball valve (1/2" - 2")

## Product Features

- 600# WOG
- Full Port Brass Ball Valve
- PTFE Seats
- Chrome Plated Ball
- Blowout proof stem
- 110 VAC Electric Actuator (5910)
- 220 VAC Electric Actuator (5920)
- Manual Override standard
- Low Torque Design



## Technical Specifications

Size	1/2	3/4	1	1-1/4	1-1/2	2
Cv	17	34	58	87	145	255
Max Temp at 600 PSI	160F	160F	160F	160F	160F	160F
Max Press at 250F	150psi	150psi	150psi	150psi	150psi	150psi

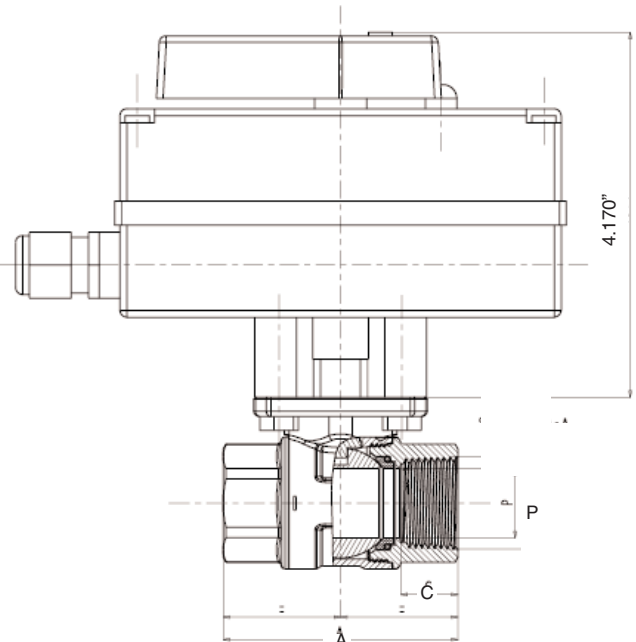
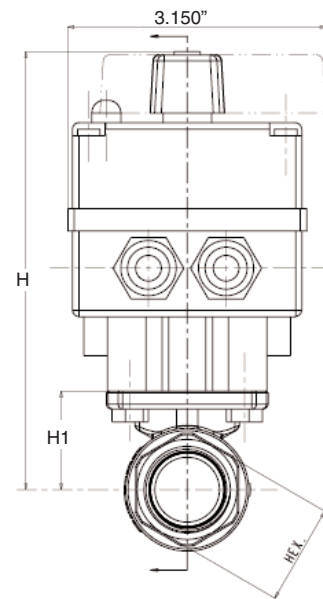
## Materials & Specifications

Item	Description	Material	Specification
1	Body Cap	Brass	B283 C37700
2	Seat	PTFE	PTFE
3	Ball	Chrome Plated Brass	B283 C37700
4	Body	Brass	B283 C37700
5	Stem	Brass	B124 C37700
6	O-Ring	EPDM	
7	Mounting Hardware	Steel Zinc Plated	Steel
8	Mounting Flange	Aluminum	B85 A03840

## Dimensions & Weights (inches-lbs.)

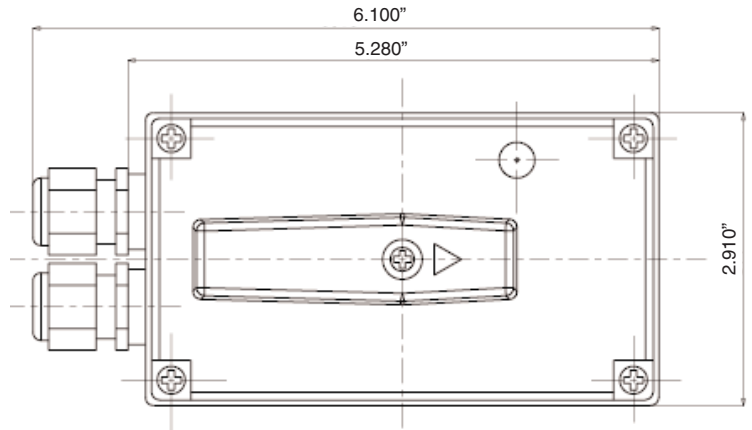
Size	1/2	3/4	1	1-1/4	1-1/2	2
A	2.28	2.66	3.19	3.69	4.06	4.90
C	.61	.65	.77	.85	.85	.98
H	5.65	5.77	5.92	6.13	6.69	6.99
H1	1.09	1.20	1.35	1.57	2.08	2.38
P	.59	.79	.98	1.26	1.57	1.97
Wt. (lbs.)	2.4	2.7	3.2	4.0	5.2	6.3

Additional dimensional data on next page



**Motor specifications and features**

- Dual Direction Motor
- 110 VAC 50 HZ operation (5910)
- 220 VAC 50 HZ operation (5920)
- Approx. 35 Second operation time (full cycle)
- Current draw is 6.1 - 7.5 amps (220V)
- Current draw is 6.1 - 9.5 amps (110V)
- Motor protection/case meets requirements of NEMA IV
- Suitable for working environments from 14- 120F
- Quiet motor operation
- UL 508 Listed



**Sample wiring connections**

