

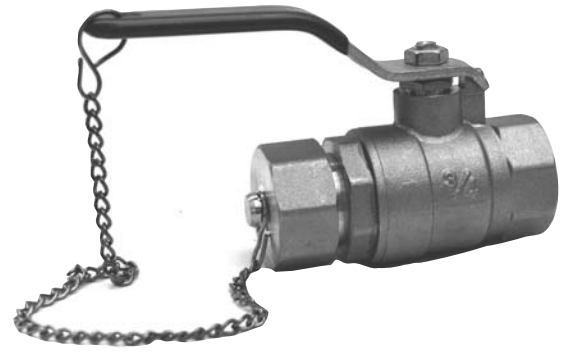


Figure # 5586

Brass Hose End Ball Valve (3/4")

Product Features

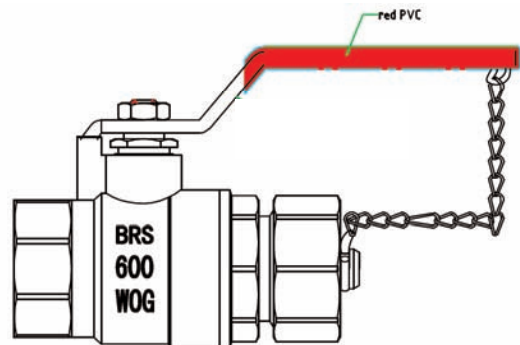
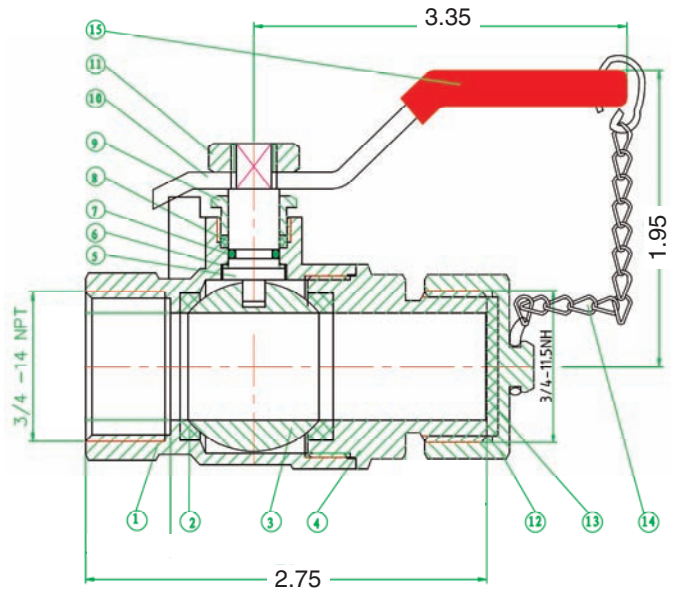
- 150#WSP / 600# WOG
- Forged Brass Body
- Full Port
- Adjustable Packing
- Threaded X Hose Ends
- Blowout Proof Stem
- Drain Cap with Chain



Pressure/Temperature Ratings	
600 PSI from 15F to 160F	150 PSI MAX at 366F *

Materials & Specifications

Item	Description	Material	Specification
1	Body	Brass	B283 C37700
2	Seat	PTFE	PTFE
3	Ball	Brass/Chrome plated	B283 C37700
4	End Piece	Brass	B283 C37700
5	Stem	Brass	B124 C37700
6	Packing	PTFE	PTFE
7	O-ring	NBR	NBR
8	Packing	PTFE	PTFE
9	Packing Nut	Brass	B124 C37700
10	Handle	Steel	Steel
11	Handle Nut	Steel	Steel
12	Drain Cap	Brass	B124 C37700
13	Cap Gasket	NBR	NBR
14	Chain	Steel	Steel
15	Handle Sleeve	PVC	PVC



Weights (lbs.) & Valve Data

Size	3/4
Cv	30
Wt.- lbs.	.70

* Item # 13 (cap gasket) is not suitable for temperatures above 200 degrees.

