

Feature

- 250# WOG
- DZR lead free brass body
- Full port
- Dual EzPress ends
- Chrome plated ball
- PTFE seats
- Blow-out proof stem
- Double O-ring
- MSS-SP-110
- AB1953, NSF/ANSI 61 & 372 certified

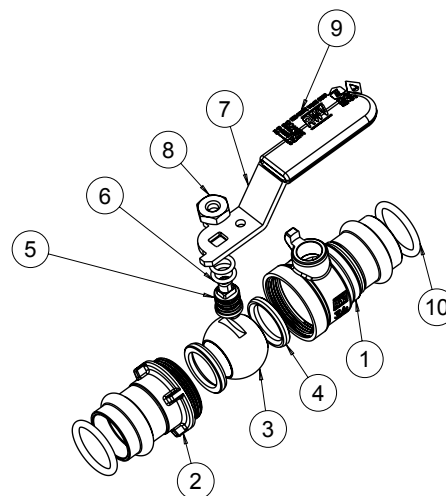


Meet BAA requirement

Pressure/ Temperature rating	
250 psi from 15 °F to 160 °F	150 psi max. at 250 °F

Material

	Part	Material	Specification
1	Body	DZR Lead Free Brass	ASTM B927 C27453
2	End piece	DZR Lead Free Brass	ASTM B927 C27453
3	Ball	Lead Free Brass / Cr plated	ASTM B927 C28500
4	Seat	PTFE	PTFE
5	Stem	Lead Free Brass	ASTM B927 C28500
6	O-ring	EPDM Perox	NSF approved
7	Handle	Steel / Zn plated	A36
8	Handle nut	Steel / Zn plated	A36
9	Valve info	-	-
10	O-ring	EPDM Perox	NSF approved



Dimension, Cv, Weight

Size	A [in]	L [in]	H [in]	ΦD [in]	P [in]	C [in]	Cv	Wt. [lb]
1/2"	2.91	3.60	1.73	0.64	0.50	0.87	11	0.40
3/4"	3.48	3.60	1.85	0.89	0.73	0.98	26	0.60
1"	3.88	4.98	2.05	1.14	0.94	1.06	55	1.01
1 1/4"	4.17	4.98	2.24	1.43	1.22	1.06	103	1.31
1 1/2"	4.94	5.57	2.72	1.64	1.46	1.26	111	1.96
2"	5.98	5.57	3.07	2.14	1.95	1.46	353	3.04

