

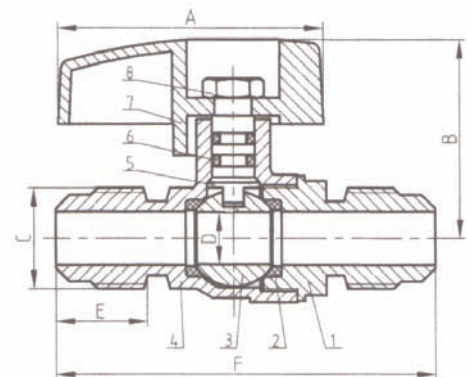
## Product Features

- 175# PSI
- 2 Piece Brass Body
- Flare x Flare Ends
- 1/4 Turn Operation
- Positive Shutoff
- ANSI Z.21.15
- CSA Approved



## Materials & Specifications

Item	Description	Material	Specification
1	Body Cap	Forged Brass	B283-C37700
2	Seat	PTFE	PTFE
3	Ball	Brass (Chrome Plated)	B283-C37700
4	Body	Forged Brass	B283-C37700
5	Stem	Brass rod	B124-C37700
6	Packing Ring	NBR O-Ring	NBR
7	Handle	Aluminum	B85
8	Handle Nut	Brass Rod	B16-C36000



## Dimensions & Weights (inches-lbs.)

Size	3/8	1/2
A	2	2
B	1.5	1.5
d	.34	.34
E	.53	.65
F	2.5	2.8
Wt. (lbs.)	.3	.35