

**Feature**

- 300# WOG
- PP-R body
- Polyfusion x Barb (ASTM F1960)
- DZR lead free brass chrome-plated ball
- DZR lead free brass stem
- Virgin PTFE seats
- Blow-Out proof stem
- NBR O-ring packing
- AB1953, NSF/ANSI 61 & 372 certified
- NSF-14

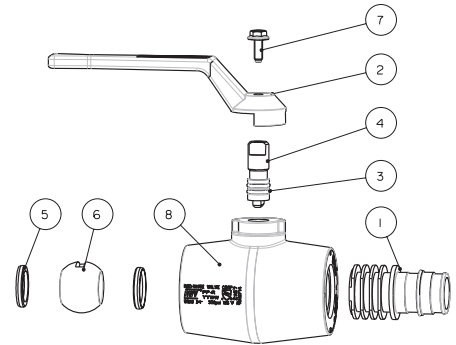


Meet BAA requirement

<b>Max. Pressure</b>	<b>Max. Temperature</b>
300 psi / 2068 kPa	185°F / 85°C

**Material**

	Part	Material	Specification
1	PEX End	DZR Lead Free Brass	UNS C27453
2	Lever Handle	Nylon	PA6-50G
3	O-Ring	NBR	NBR
4	Stem	DZR Lead Free Brass	UNS C27453
5	Seat	PTFE	PTFE
6	Ball	DZR Lead Free Brass/Cr Plated	UNS C27453
7	Screw	Steel	Steel
8	Body	Polypropylene	PP-R80



**Dimension**

Size	DN	A		C		D		E		H		L		P		Wt. L	
		[in]	[mm]	[in]	[mm]	[in]	[mm]	[in]	[mm]	[in]	[mm]	[in]	[mm]	[lb]	[g]		
1/2"	20	2.66	68	0.57	14	1.81	46	0.71	18	2.36	60	4.02	102	0.59	15	0.32	150
3/4"	25	2.78	71	0.63	16	2.01	51	0.95	24	2.36	60	4.02	102	0.59	15	0.49	222
1"	32	3.13	80	0.71	18	2.28	58	1.81	46	2.48	63	4.02	102	0.79	20	0.61	277

