



Figure # 5100

1 Piece CSA Gas Ball Valve (1/2" & 3/4")



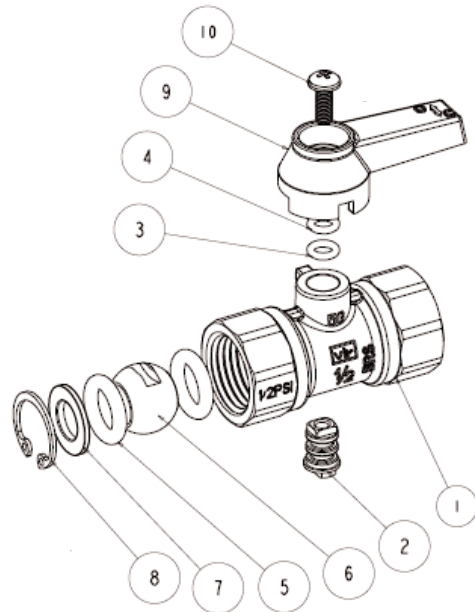
Product Features



- 175# PSI
- 1-Piece Brass Body
- Threaded Ends
- ANSI Z21.15/CGA-9.1
- CSA 1/2, 2 & 5 psi approved

Materials & Specifications

Item	Description	Material	Specification
1	Body	Brass	B283 C37700
2	Stem	Brass	B124 C37700
3	O-ring Seal	FPM	FPM
4	O-ring Packing	NBR	NBR
5	Seat	NBR	NBR
6	Ball	Brass/ Chrome Plated	B124 C37700
7	Seat Washer	Brass	B124 C37700
8	Body Clip	Steel	C60 UN17064
9	Handle	Aluminum	B85-A03840
10	Handle Screw	Steel/Zinc plated	A36



Dimensions & Weights (inches-lbs.)

Size	1/2	3/4
Ø	1/2" -14 NPT	3/4" -14 NPT
A	2.125	2.26
C	.630	.630
H	1.250	1.340
L	1.5	1.5
P	.40	.55
Wt.- lbs.	.4	.6

