



# Figure # 5090

Brass Ball Valve w/ relief (1/2" - 1")

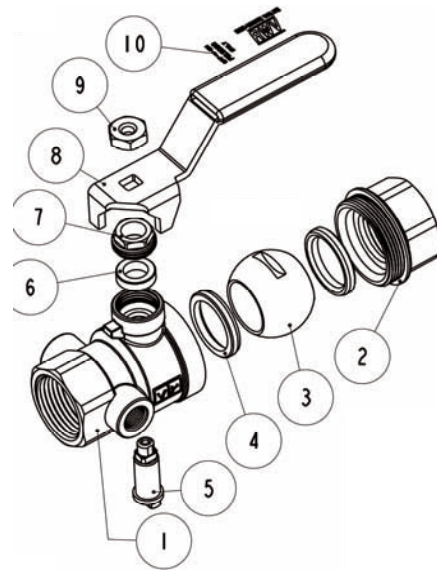
## Product Features

- 600# WOG
- Full Port, Brass Body
- Threaded Ends
- Chrome Plated ball
- Integral Relief valve port
- Relief valve included
- Relief valve factory set at 100 PSI
- Compression outlet port for relief drain



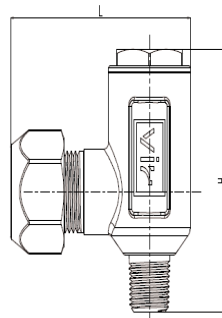
## Materials & Specifications

Item	Description	Material	Specification
1	Body	Brass	B283 C37700
2	Body Cap	Brass	B283 C37700
3	Ball	Brass (Chrome Plated)	B283 C37700
4	Seat	PTFE	-
5	Stem	Brass	B124-C37700
6	Packing	PTFE	-
7	Packing Nut	Brass	B124 C3770
8	Handle	Steel (Zinc Plated)	A36
9	Handle Nut	Steel (Zinc Plate)	A36
10	Label Info	Print	-



## Dimensions, Weights (inches-lbs.) & Valve Data

Size	1/2	3/4	1
A	2.36	2.76	3.15
H	2.13	2.26	2.61
L	3.6	3.6	4.98
CV	15	30	60
Wt. - lbs.	.58	.76	.58
Relief Valve			
Size	1/8	N/A	N/A
H	1.81	-	-
L	1.82	-	-
Wt. - lbs.	.23	-	-



5090RC-1 1/8"

\* Relief Valve with PEX outlet (5090RP-1 1/8") is also available. (Figure # 5090P-1)

