



Figure # 5083
Brass Mini Ball Valve (1/4")

Product Features

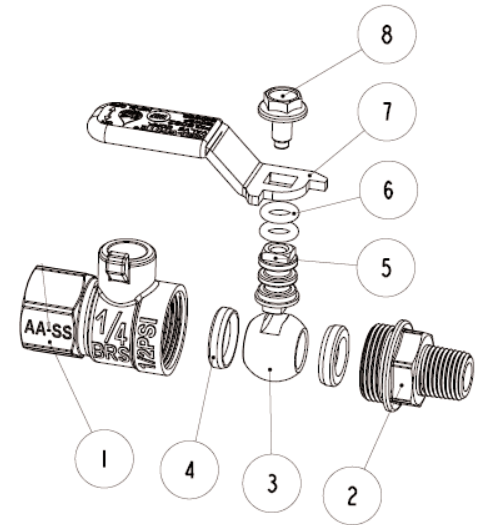
- 150# WSP / 600# WOG
- Brass Body
- Full Port
- 1/4" FNPT x 1/4" MNPT Ends
- O-Ring Packing
- Chrome Plated ball
- Blowout Proof Stem
- NSF 61 Certified
- CSA Certified 1/2PSI for Natural Gas, Propane & LPG Service



Pressure/Temperature Ratings	
600 PSI from 15F to 160F	150 PSI MAX at 366F

Materials & Specifications

Item	Description	Material	Specification
1	Body	Brass	B283 C37700
2	End Piece	Brass	B283 C37700
3	Ball	Brass/Chrome Plated	B283 C37700
4	Seat	PTFE	PTFE
5	Stem	Brass	B124 C37700
6	O-Ring Packing	FKM	NSF Approved
7	Handle	Zinc plated steel	A36 Dacromet
8	Handle Bolt	Zinc plated steel	A36 Dacromet



Dimensions, Weights (inches-lbs.) & Valve Data

Size	1/4 x 1/4
A	1.89
A1	.79
C	.45
C1	.45
H	1.09
L	1.61
Ø	1/4-18 FNPT
Ø1	1/4-18 MNPT
P	.31
Wt.- lbs.	.2

