

**Feature**

- 150# WSP / 600# WOG
- Bronze cast body
- Full port
- Adjustable packing
- FNPT x FNPT
- Threaded ends (ASME B1.20.1-NPT)
- Blow-out proof stem
- Stainless steel ball
- Virgin PTFE seats
- MSS-SP-110

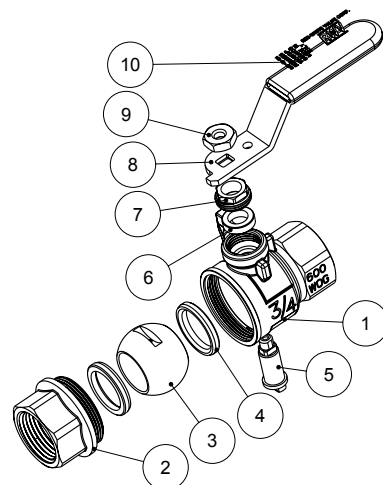
Meet BAA requirement

Pressure/ Temperature rating	
600 psi from 15 °F to 160 °F	150 psi max. at 366 °F



**Material**

	Part	Material	Specification
1	Body	Bronze	ASTM B62 C83600
2	End piece	Bronze	ASTM B62 C83600
3	Ball	Stainless steel	ASTM B276 S31600
4	Seat	PTFE	PTFE
5	Stem	Stainless Steel	ASTM B276 S31600
6	Packing ring	PTFE	PTFE
7	Packing nut	Brass	ASTM B124 C37700
8	Handle	Steel / Geomet® plated	A36
9	Nut	Steel / Zn plated	A36
10	Valve info	-	-



**Dimension, Cv, Weight**

Size	A [in]	L [in]	H [in]	P [in]	C [in]	Cv	Wt. [lb]
1/2"	2.24	3.60	2.13	0.39	0.61	15	0.59
3/4"	2.64	3.60	2.26	0.79	0.65	30	0.86
1"	3.03	4.98	2.57	0.98	0.77	60	1.41
1 1/4"	3.58	4.98	2.80	1.26	0.85	110	2.20
1 1/2"	4.06	5.57	3.28	1.57	0.85	130	3.16
2"	4.80	5.57	3.58	1.97	0.98	360	4.94

