



Figure # 5070

Brass EzGrip Ball Valve (1/2" - 1")

Product Features

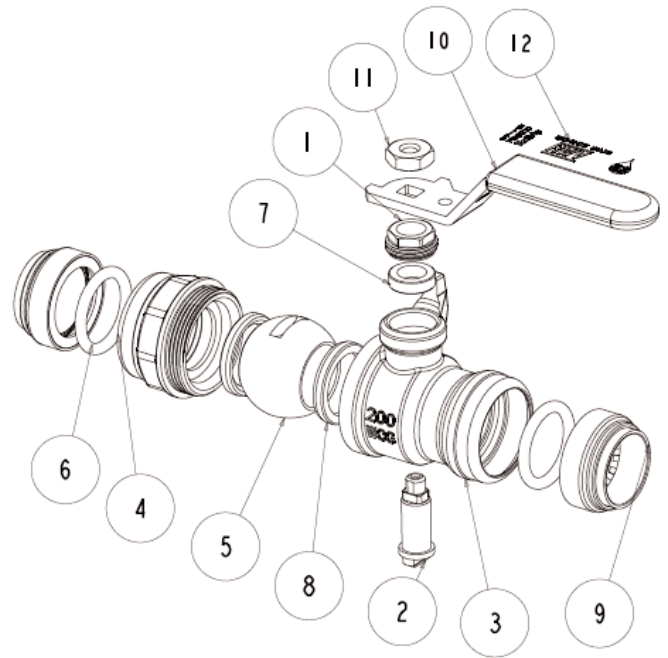
- 200# WOG
- Full Port, Brass Body
- EzGrip push to connect ends
- Chrome Plated ball
- Field Adjustable/removable
- Adjustable Packing
- Blow-out Proof Stem
- Compatible with:
 - Copper K,L & M hard drawn tubing (ASTM B88)
 - CPVC pipe in CTS sizes (ASTM D-2846)
 - PEX A,B & C tubing (ASTM F876 & F877)



Max. Operating temperature = 180 degrees F.

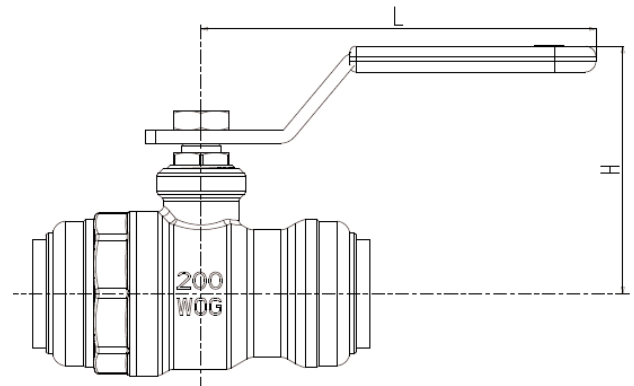
Materials & Specifications

Item	Description	Material	Specification
1	Packing Nut	Brass	B124 C37700
2	Stem	Brass	B124 C37700
3	Body	Brass	B283 C37700
4	Body End	Brass	B283 C37700
5	Ball	Brass (Chrome Plated)	B124-C37700
6	O-Ring	EPDM-Perox	NSF Approved
7	Packing	PTFE	PTFE
8	Seat Ring	PTFE	PTFE
9	Cartridge	POM/Stainless Steel	-
10	Handle	Steel (Dacromet Plated)	A36
11	Handle Nut	Steel (Dacromet Plated)	A36
12	Label Info	Print	-



Dimensions, Weights (inches-lbs.) & Valve Data

Size	1/2	3/4	1
H	2.12	2.25	2.55
L	3.6	3.6	4.98
CV	15	30	60
Wt. - lbs.	.5	.7	1.1



*A support insert is required on PEX installations. Ezgrip valves are **NOT** suitable for service on PEX tubing with an oxygen barrier on the outer layer or PEX-AL-PEX tubing.

