



Figure # 5060AB
Low Lead Brass Ball Valve (1/2"-1")

Product Features

- 600# WOG
- Low Lead Brass Body
- Full Port
- Drain Port on Body
- Adjustable Packing
- Threaded Ends
- Blowout Proof Stem
- AB1953 Certified



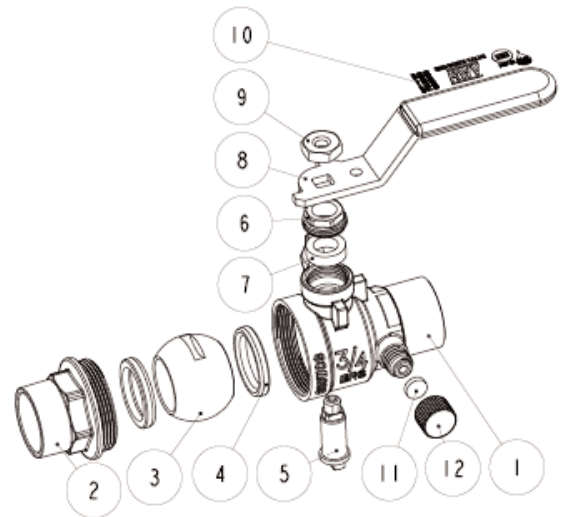
Certified to
ANSI/NSF 61



Pressure/Temperature Ratings	
600 PSI from 15F to 160F	150 PSI MAX at 200F

Materials & Specifications

Item	Description	Material	Specification
1	Body	Low Lead Brass	CW510L
2	End Piece	Low Lead Brass	CW510L
3	Ball	Low Lead Brass/Cr Plated	CW510L
4	Seat	PTFE	PTFE
5	Stem	Low Lead Brass	CW510L
6	Packing	PTFE	PTFE
7	Packing Nut	Brass	B124 C37700
8	Handle	Zinc plated steel	A36 Dacromet
9	Handle Nut	Zinc plated steel	A36 Dacromet
10	I.D. Information	N/A	N/A
11	Drain Gasket	NBR	NSF approved
12	Drain Plug	Brass	B124 C37700



Dimensions, Weights (inches-lbs.) & Valve Data

Size	1/2	3/4	1
A	2.42	2.78	3.19
C	.61	.65	.77
H	2.13	2.26	2.57
L	3.60	3.60	4.98
P	.59	.79	.98
Cv	15	30	60
Wt.- lbs.	.6	.8	1.4

Size	All
Drain Thread	3/8 Whitworth
Drain Size	.125

