

DZR Lead Free Brass Full Port EzPress Ball Valve

Feature

- 200# WOG
- DZR lead free brass body
- Full port
- Dual EzPress ends
- Chrome plated ball
- PTFE seats
- Blow-out proof stem
- Adjustable packing
- MSS-SP-110
- Body conforms to XLC design
- AB1953, NSF/ANSI 61 & 372 certified

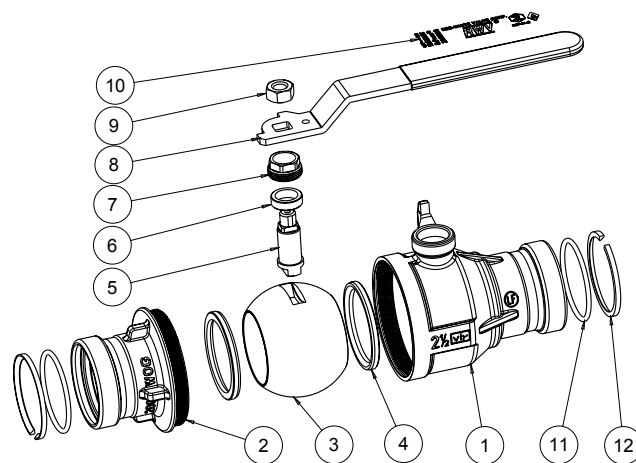


Meet BAA requirement

Pressure/ Temperature rating	
Valve body and stem	
200 psi from 15 °F to 160 °F	100 psi max. at 366 °F
Press connections	
200 psi from 15 °F to 160 °F	100 psi max. at 250 °F

Material

Part	Material	Specification
1	Body	DZR Lead Free Brass ASTM B927 C27453
2	End piece	DZR Lead Free Brass ASTM B927 C27453
3	Ball	Lead Free Brass / Cr plated ASTM B927 C28500
4	Seat	PTFE PTFE
5	Stem	Lead Free Brass ASTM B927 C28500
6	Packing ring	PTFE PTFE
7	Packing nut	Brass ASTM B124 C37700
8	Handle	Steel / Geomet® plated A36
9	Nut	Steel / Zn plated A36
10	Valve info	-
11	O-ring	EPDM Perox NSF approved
12	Ring	Steel ASTM A295 52100



Dimension, Cv, Weight

Size	A [in]	L [in]	H [in]	ΦD [in]	P [in]	C [in]	Cv	Wt. [lb]
2½"	8.46	11.07	4.69	2.66	2.55	2.24	450	8.62
3"	9.17	11.07	5.14	3.14	3.07	2.24	620	11.84
4"	10.00	11.07	5.64	4.17	3.94	2.24	1200	17.58

