

Feature

- 400# WOG
- DZR lead free brass body
- Regular port
- Barb (F1960) x FNPT
- PEX end (ASTM F1960)
- Threaded end (ASME B1.20.1-NPT)
- Chrome plated ball
- Virgin PTFE seats
- Blow-out proof stem
- Double NBR O-ring packing
- CSA B125.14
- AB1953, NSF/ANSI 61 & 372 certified



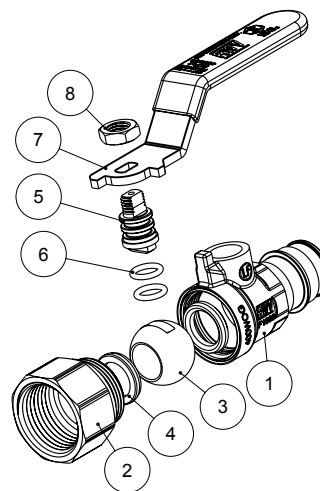
Option with wing handle (5016ABW) available

| Pressure/ Temperature rating | |
|------------------------------|------------------------|
| 300 psi from 15 °F to 160 °F | 150 psi max. at 200 °F |



Material

| | Part | Material | Specification |
|---|------------|---------------------------------|------------------|
| 1 | Body | DZR Lead Free Brass | ASTM B927 C27453 |
| 2 | End piece | DZR Lead Free Brass | ASTM B927 C27453 |
| 3 | Ball | DZR Lead Free Brass / Cr plated | ASTM B927 C27453 |
| 4 | Seat | PTFE | PTFE |
| 5 | Stem | DZR Lead Free Brass | ASTM B927 C27453 |
| 6 | O-ring | NBR | NSF approved |
| 7 | Handle | Steel / Dacromet® plated | ASTM A36 |
| 8 | Handle nut | Steel / Zn plated | ASTM A36 |



Dimension, Cv, Weight

| Size | A [in] | H [in] | L [in] | P [in] | C [in] | Wt. [lb] |
|------|--------|--------|--------|--------|--------|----------|
| 1/2" | 2.25 | 1.38 | 3.19 | 0.39 | 0.61 | 0.28 |
| 3/4" | 2.71 | 1.77 | 3.58 | 0.50 | 0.63 | 0.46 |
| 1" | 3.23 | 1.77 | 3.58 | 0.73 | 0.75 | 0.64 |

