

**Feature**

- 300# WOG
- PP-R body
- Polyfusion ends
- DZR lead free brass chrome-plated ball
- DZR lead free brass stem
- Virgin PTFE seats
- Blow-Out proof stem
- NBR O-ring packing
- AB1953, NSF/ANSI 61 & 372 certified
- NSF-14

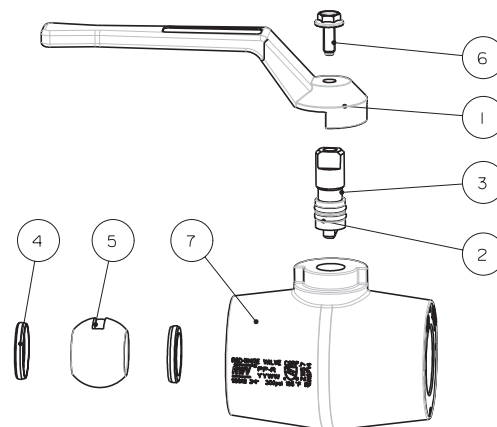


Meet BAA requirement

Max. Pressure	Max. Temperature
300 psi / 2068 kPa	185°F / 85°C

**Material**

	Part	Material	Specification
1	Lever Handle	Nylon	PA6-50G
2	O-Ring	NBR	NBR
3	Stem	DZR Lead Free Brass	UNS C27453
4	Seat	PTFE	PTFE
5	Ball	DZR Lead Free Brass/Cr Plated	UNS C27453
6	Screw	Steel	Steel
7	Body	Polypropylene	PP-R80



**Dimension**

Size	A		C		D		H		L		P		Wt. L		
	in	DN	[in]	[mm]	[in]	[mm]	[in]	[mm]	[in]	[mm]	[in]	[mm]	[lb]	[g]	
1/2"	20	2.66	68	0.57	14	1.81	46	2.36	60	4.02	102	0.59	15	0.30	136
3/4"	25	2.78	71	0.63	16	2.01	51	2.36	60	4.02	102	0.59	15	0.32	145
1"	32	3.13	80	0.71	18	2.28	58	2.48	63	4.02	102	0.79	20	0.46	209
1 1/4"	40	3.70	94	0.81	21	2.91	74	3.07	78	4.7	119	0.98	25	0.80	363
1 1/2"	50	4.29	109	0.93	24	3.35	85	3.27	83	4.7	119	1.26	32	1.14	517
2"	63	5.12	130	1.08	27	4.13	105	4.06	103	5.75	146	1.57	40	2.06	934

