

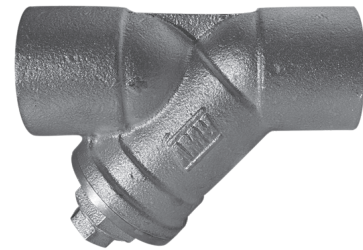


Figure # 387F

Bronze Solder Y-Strainer

Product Features

- 125# WSP / 200# WOG
- Bronze Body
- Solder Ends
- Stainless Steel 20 Mesh Screen
- Threaded Cap with Clean Out Plug

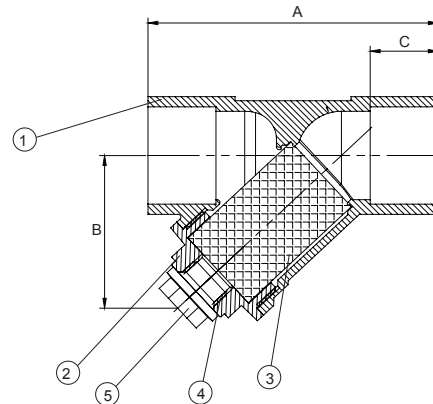


Technical Specifications

Connection Working Pressure			
Solder used in Joint	Working Temp. °F	Max. working Pressure (psi)	
		1/2" - 1"	1-1/4" - 2"
95-5 Tin Antomy ASTM 32 grade 95TA	100	500	400
	150	400	350
	200	300	250
	250	200	175

Materials & Specifications

Item	Description	Material	Specification
1	Body	Cast Bronze	B62-C83600
2	Cap	Cast Bronze	B62-C83600
3	Screen	Stainless Steel	304SS
4	Gasket	PTFE	PTFE
5	Plug	Cast Bronze	B62-C83600



Dimensions, Weights (inches-lbs.) & Valve Data

Size	1/2	3/4	1	1-1/4	1-1/2	2
A	2.71	3.32	3.78	4.20	5.21	5.88
B	0.50	0.75	0.90	0.90	1.10	1.35
C	1.88	2.12	2.65	2.84	3.41	3.88
Plug size	1/2	1/2	3/4	3/4	1	1
Wt	0.38	0.66	0.94	1.40	2.30	3.44

RED-WHITE VALVE CORP.

20600 Regency Lane, Lake Forest, CA 92630

TEL: 949.859.1010 • FAX: 949.859.7200 • www.redwhitevalvecorp.com

(160408)