

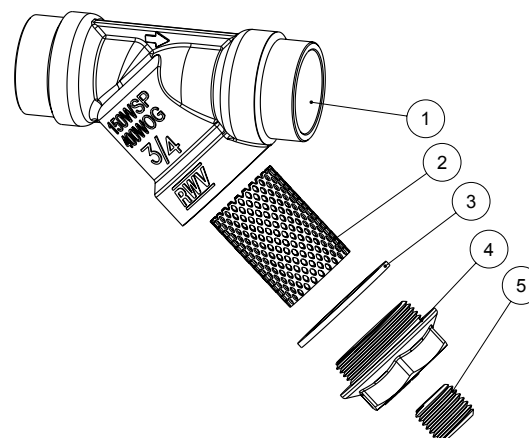
**Feature**

- 125# WSP / 200# WOG
- Lead free brass body
- Solder x Solder
- Solder ends (ASME B16.22)
- Stainless steel 20 mesh screen
- Threaded cap with clean out plug
- AB1953, NSF/ANSI 61 & 372 certified



**Material**

	Part	Material	Specification
1	Body	Lead Free Brass	ASTM B927 C27450
2	Screen	Stainless Steel	AISI 304 S30400
3	Gasket	PTFE	PTFE
4	Cap	Lead Free Brass	ASTM B927 C27450
5	Plug	Lead Free Brass	ASTM B927 C27450



**Dimension, Cv, Weight**

	S	A [in]	H [in]	P [in]	C [in]	Cv	Wt. [lb]
1/2"	0.627-0.631	2.68	2.01	0.59	0.51	2.89	0.40
3/4"	0.877-0.881	3.07	2.20	0.67	0.75	6.46	0.54
1"	1.128-1.131	3.79	2.64	0.79	0.91	10.18	0.78
1 1/4"	1.378-1.381	4.53	3.43	1.26	0.98	24.59	1.34
1 1/2"	1.628-1.632	5.16	4.06	1.57	1.09	35.22	1.82
2"	2.128-2.132	6.10	4.65	1.97	1.34	55.28	2.56

