

Feature

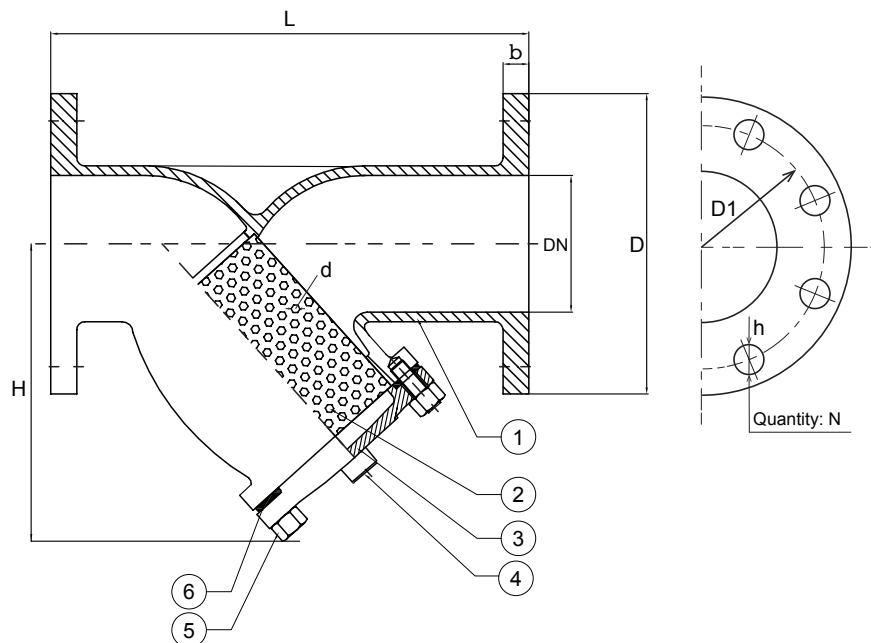
- 125# WSP
- 200# WOG
- Iron body
- Flanged ends per ANSI B16.5
- SS304 perforated screen
- Bolted cap with clean out plug
- 20 MESH wire screen option available
(Wire screen is supported by perforated screen)



Material

	Part	Material	Specification
1	Body	Cast Iron / Ductile Iron ¹	A126-B / A536 ¹
2	Screen	Stainless Steel	SS304
3	Bonnet	Cast Iron / Ductile Iron ¹	A126-B / A536 ¹
4	Plug	Steel	-
5	Cap Bolt	Steel	-
6	Gasket	EPDM	-

¹ Ductile iron A536 for 8" and above



Dimension, Weight

Size DN	D [in]	D1 [in]	H [in]	L [in]	b [in]	d [in]	N - h [in]	Clean out [in]	Cv	Wt. [lb]
2"	5.98	4.76	4.92	8.86	0.71	0.079	4 - 0.75	1	52	19.8
2½"	7.01	5.51	5.91	10.75	0.71	0.079	4 - 0.75	1	80	23.4
3"	7.52	5.98	6.89	11.50	0.79	0.079	4 - 0.75	1	116	32.4
4"	9.02	3.58	7.68	13.86	0.79	0.079	8 - 0.75	1¼	205	46.2
5"	10.00	8.50	9.25	16.54	0.87	0.118	8 - 0.88	1¼	325	65.0
6"	10.98	9.49	10.83	18.50	0.94	0.118	8 - 0.88	1½	465	91.8
8"	13.50	11.77	13.78	21.38	0.94	0.197	8 - 0.88	1½	845	131
10"	15.98	14.25	16.54	25.98	1.02	0.197	12 - 1.00	1½	1350	205
12"	19.02	17.01	19.29	30.00	1.02	0.197	12 - 1.00	1½	2080	269