

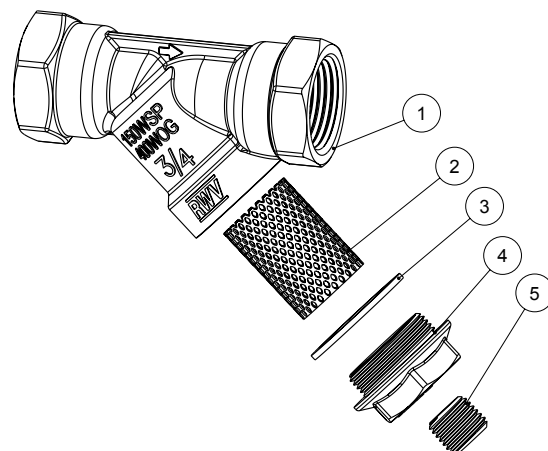
Feature

- 125# WSP / 200# WOG
- Lead free brass body
- FNPT x FNPT
- Threaded ends (ASME B1.20.1-NPT)
- Stainless steel 20 mesh screen
- Threaded cap with clean out plug
- AB1953, NSF/ANSI 61 & 372 certified



Material

	Part	Material	Specification
1	Body	Lead Free Brass	ASTM B927 C27450
2	Screen	Stainless Steel	AISI 304 S30400
3	Gasket	PTFE	PTFE
4	Cap	Lead Free Brass	ASTM B927 C27450
5	Plug	Lead Free Brass	ASTM B927 C27450



Dimension, Cv, Weight

	Φ	A [in]	H [in]	P [in]	C [in]	Cv	Wt. [lb]
1/2"	1/2 - 14 NPT	2.76	2.13	0.59	0.61	2.89	0.42
3/4"	3/4 - 14 NPT	3.23	2.36	0.67	0.75	6.46	0.62
1"	1 - 11.5 NPT	3.64	2.64	0.79	0.75	10.18	0.90
1 1/4"	1 1/4 - 11.5 NPT	4.11	3.50	1.26	0.77	24.59	1.26
1 1/2"	1 1/2 - 11.5 NPT	4.69	4.13	1.57	0.77	35.22	1.86
2"	2 - 11.5 NPT	5.28	4.74	1.97	0.83	55.28	2.54

