



ECO-VALVE

Figure # 268AB

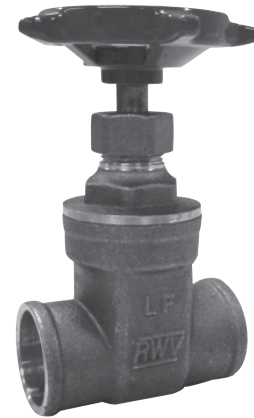
Low Lead Brass Gate Valve

Product Features

- 200# WOG
- Low Lead Brass Body
- Non-Rising Stem
- Solid Disc
- Solder Ends
- Inserted bonnet
- NSF61-G



Certified to
ANSI/NSF 61

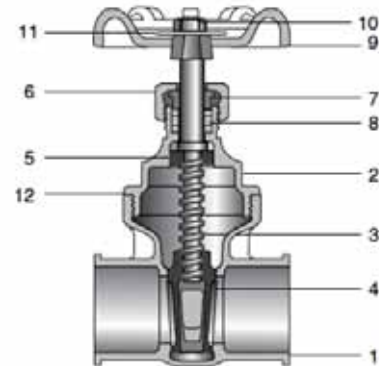


Technical Specifications

Pressure/Temperature Ratings	
200# WOG	212°F max temp.

Materials & Specifications

Item	Description	Material	Specification
1	Body	Low Lead Brass	CW510L
2	Bonnet	Low Lead Brass	CW510L
3	Stem	Low Lead Brass	CW510L
4	Disc	Low Lead Brass	CW510L
5	Lock Nut	Low Lead Brass	CW510L
6	Gland nut	Brass	B124
7	Gland	Brass	B124
8	Packing	PTFE	-
9	Handwheel	Aluminum	-
10	Nut	Steel	A36
11	Tag	Aluminum	-
12	Gasket	PTFE	-



Dimensions, Weights (inches-lbs.) & Valve Data

Size	1/2	3/4	1	1-1/4	1-1/2	2
D	1.78	1.78	2.05	2.38	2.38	2.12
H	2.75	3.18	3.50	4.35	4.75	5.60
L	1.60	2.00	2.28	2.91	3.18	3.62
Wt.	0.44	0.69	1.00	1.50	2.00	3.50



RED-WHITE VALVE CORP.

20600 Regency Lane, Lake Forest, CA 92630

TEL: 949.859.1010 • FAX: 949.859.7200 • www.redwhitevalvecorp.com