



ECO-VALVE

Figure # 2419AB

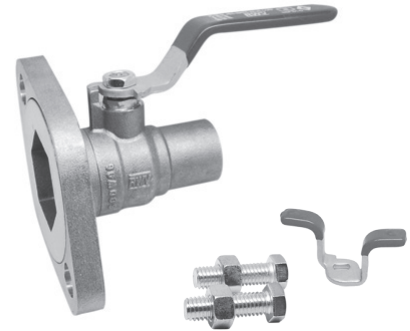
Low Lead Brass Pump Flange Ball Valve

Product Features

- 600# WOG
- 3-Piece Brass Construction
- Full Port
- Rotating Flange Design
- Flange x Solder Ends
- 1/4 Turn Operation
- Includes Bolt Kit
- Includes Wing Handle
- Positive Shutoff
- AB1953, NSF-61, NSF-372 Certified

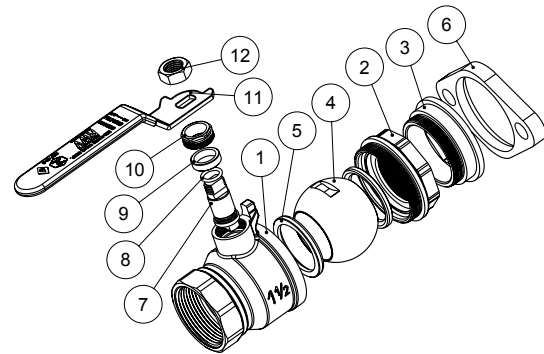


Certified to
ANSI/NSF 61



Materials & Specifications

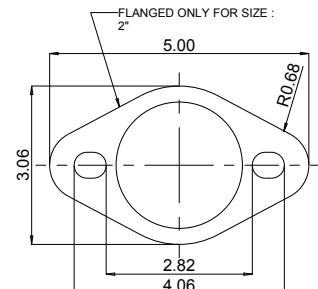
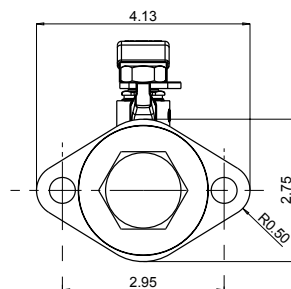
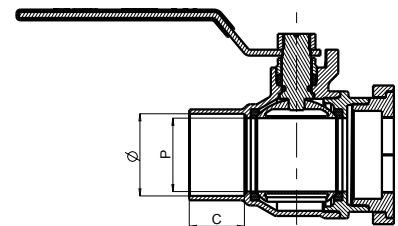
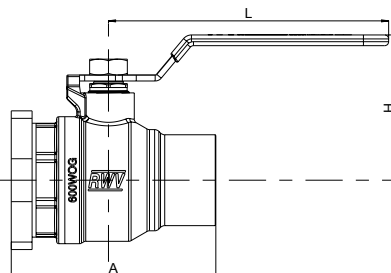
Item	Description	Material	Specification
1	Body	Low Lead Brass	C28000
2	Fixed End	Low Lead Brass	C28000
3	* Fixed End	Low Lead Brass	C28000
4	Ball	Brass/Cr Plated	B30 C85700
5	Seat	PTFE	PTFE
6	Flange	Brass	B283 C37700
7	Stem	Low Lead Brass	C28000
8	O-ring	FKM	NSF Approved
9	Packing ring	PTFE	PTFE
10	Packing nut	Brass	B124 C37700
11	Handle	Steel/Dc plated	A36
12	Nut	Steel/Zn plated	A36



* Only for size 1-1/2" & 2"

Dimensions, Weights (inches-lbs.) & Valve Data

Size	3/4	1	1-1/4	1-1/2	2
A	2.73	3.08	3.58	4.06	5.19
C	0.75	0.91	0.98	1.09	1.34
H	2.07	2.36	2.58	2.87	3.25
L	3.58	4.96	4.96	5.55	5.55
P	0.73	0.94	1.22	1.46	1.95
Wt	1.22	1.58	1.88	2.46	3.65



FLANGED ONLY FOR SIZE :
2"

RED-WHITE VALVE CORP.

20600 Regency Lane, Lake Forest, CA 92630

TEL: 949.859.1010 • FAX: 949.859.7200 • www.redwhitevalvecorp.com

(160502)