



Figure # 2415

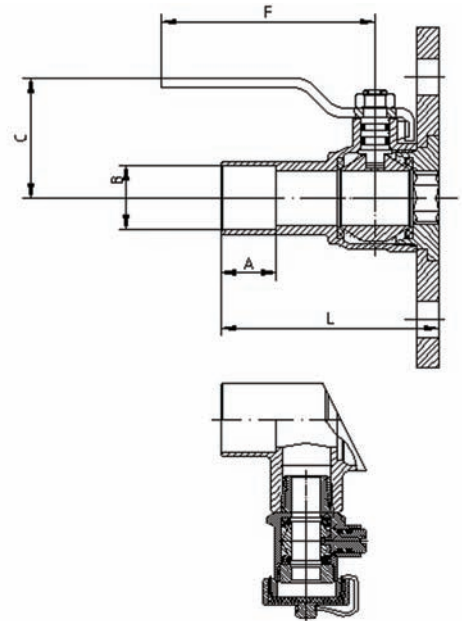
Brass Pump Flange Ball valve (3/4" - 1-1/2")

Product Features

- 600# WOG
- 2 Piece Full Port Body
- Flange x Solder Ends
- 1/4 Turn Operation
- Positive Shutoff
- Rotating Pump Flange End
- Side Drain valve w/ cap

Materials & Specifications

Item	Description	Material	Specification
1	Body	Brass	B283 C37700
2	Body Cap	Brass	B283 C37700
3	Ball	Brass Chrome Plated	B283 C37700
4	Seat	PTFE	PTFE
5	Stem	Brass	B283 C37700
6	Packing Ring	EPDM	EPDM
7	Handle	Steel Zinc Plated	A36
8	Nut	Steel Zinc Plated	A36
9	Drain Body	Brass	B283 C37700
10	Drain Body Cap	Brass	B283 C37700
11	Drain Ball	Brass Chrome Plated	B283 C37700
12	Drain Seat	PTFE	PTFE
13	Drain Stem	Brass	B283 C37700
14	Drain Packing Ring	EPDM	EPDM
15	Drain Packing Nut	Brass	B283 C37700
16	Drain Cap	Brass	B283 C37700



Valve Dimensions & Weights (inches-lbs.)

Size	3/4	1	1-1/4	1-1/2	2
A	0.75	0.91	0.97	1.10	1.30
B	0.87	1.12	1.37	1.63	2.13
C	1.69	1.85	2.40	2.63	2.85
F	2.87	2.87	4.00	4.15	4.15
L	3.13	3.51	3.83	4.25	5.69
Wt. (lbs.)	1.40	1.60	2.20	2.30	4.70

Flange Dimensions (inches)

Size	3/4	1	1-1/4	1-1/2	2
M	3.12	3.12	3.12	3.12	3.62
N	4.12	4.12	4.12	4.12	5.00
O	0.50	0.50	0.50	0.50	0.50
P	2.75	2.75	2.75	2.75	3.05

