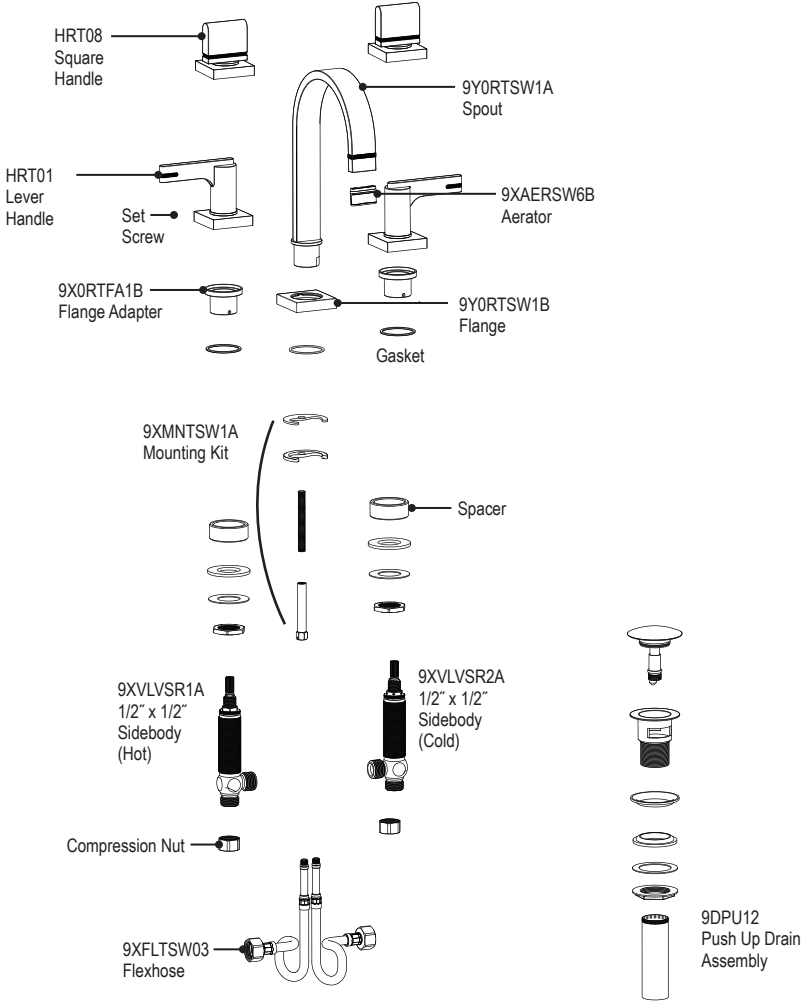


ASSEMBLY INSTRUCTION**1ARTL or Q****WIDESPREAD LAVATORY SET****1ARTL****1ARTQ****REMOVAL OF FAUCET:**

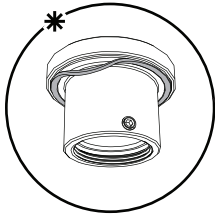
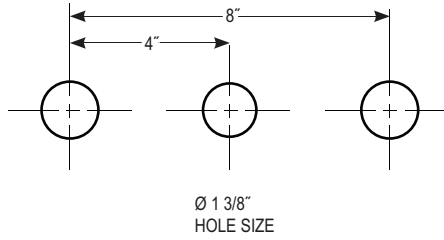
Always turn the water supply off before removing the existing faucet or disassembling a valve. Open both faucet handles to relieve water pressure and to ensure that the water has been successfully turned off.

CARE OF FAUCET:

The use of warm water and a soft cloth is all that is required to clean Rubinet products. The patina of our living finishes (Oil Rubbed Bronze & Tuscan Brass) will change as a result of normal use. Applying Mineral Oil on occasion will create a softer look, subtle color changes and character.



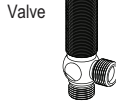
1



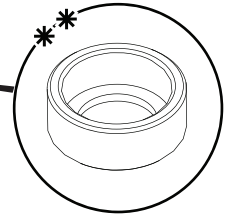
Make sure Gasket is placed properly under the Flange Adapter as shown

- *Flange Adapter
- *Gasket

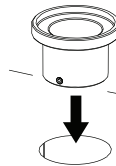
- **Spacer
- Rubber
- Fiber
- Nut



Valve



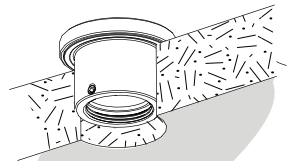
Spacer not needed when the deck is thicker than 1 1/2". Please refer to the guide below.



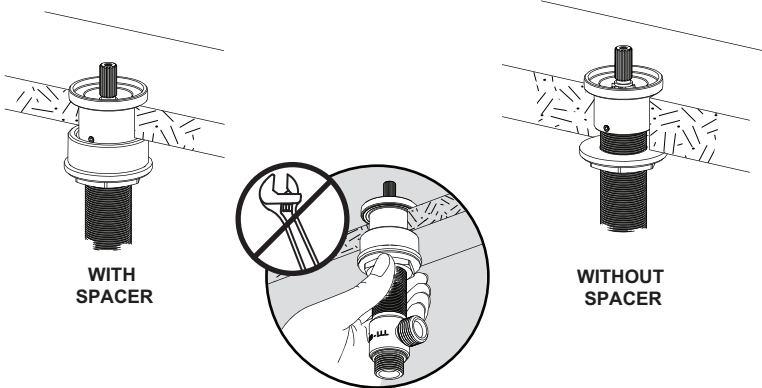
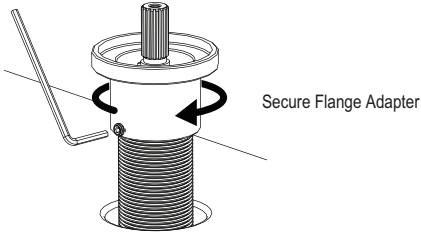
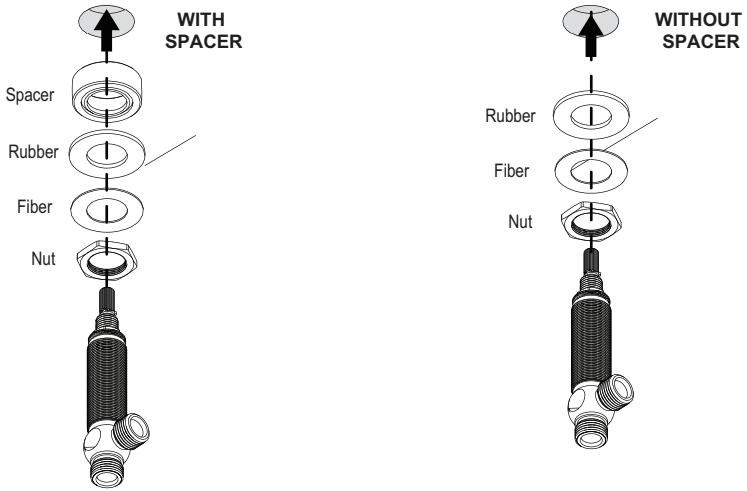
Insert Flange Adapter into the deck hole
In order to determine if Spacer is needed,



*** SPACER NEEDED**
When Flange Adapter protrudes underneath the deck

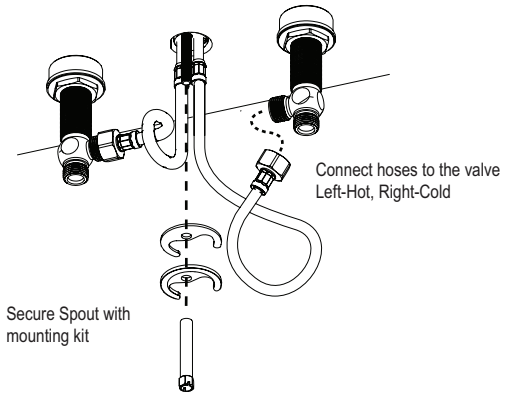
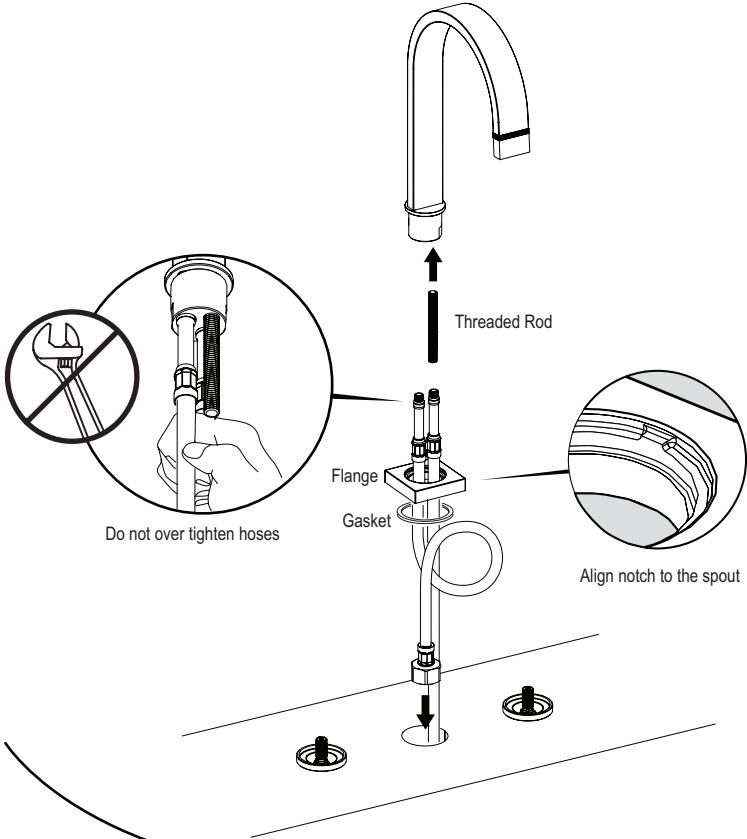


*** SPACER NOT NEEDED**
When Flange Adapter DOES NOT protrude underneath the deck

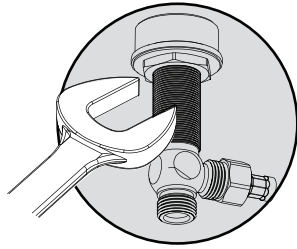
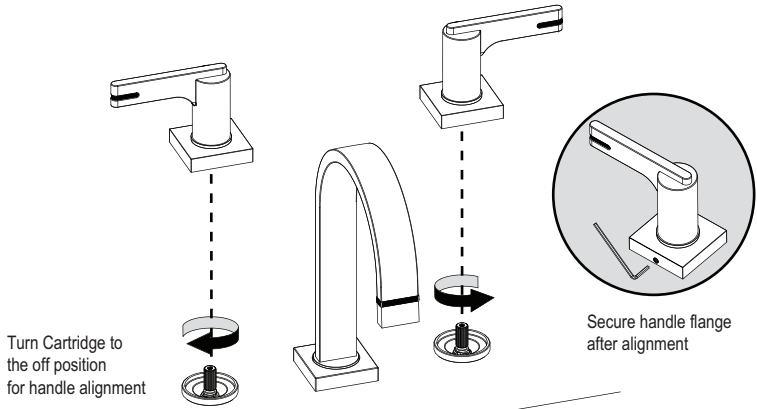


DO not over tighten Nuts for trim handle alignment

3

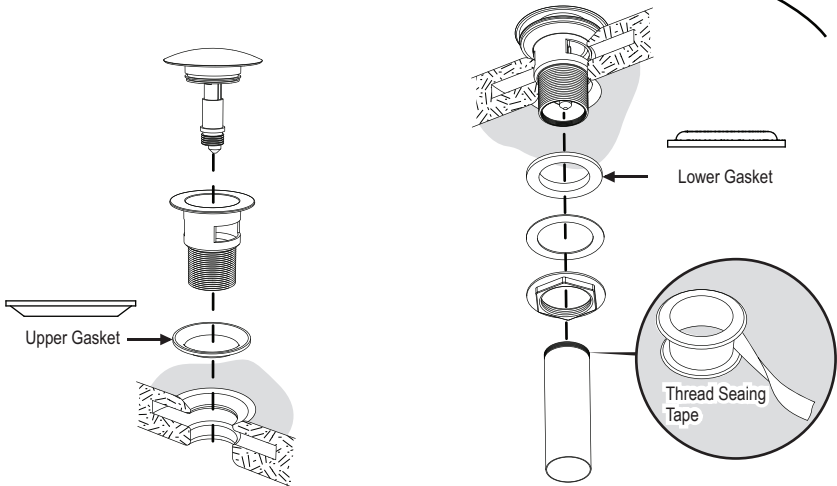


4



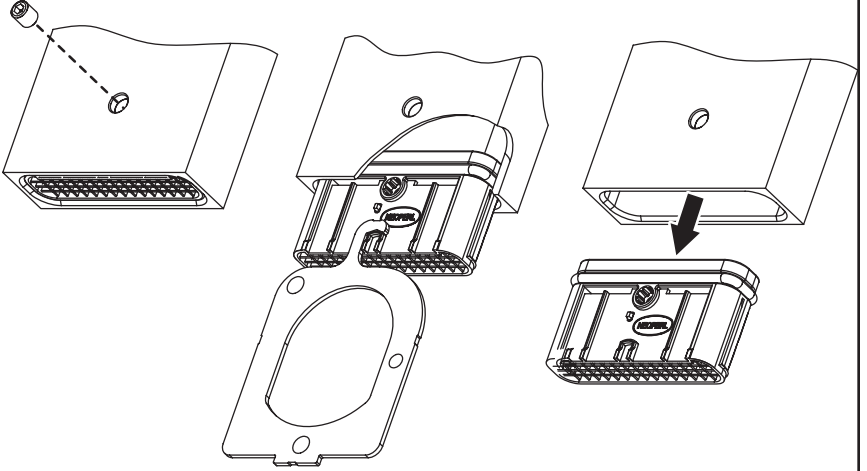
Tighten valve nut and connect water supplies

*** PUSH-UP DRAIN ASSEMBLY**



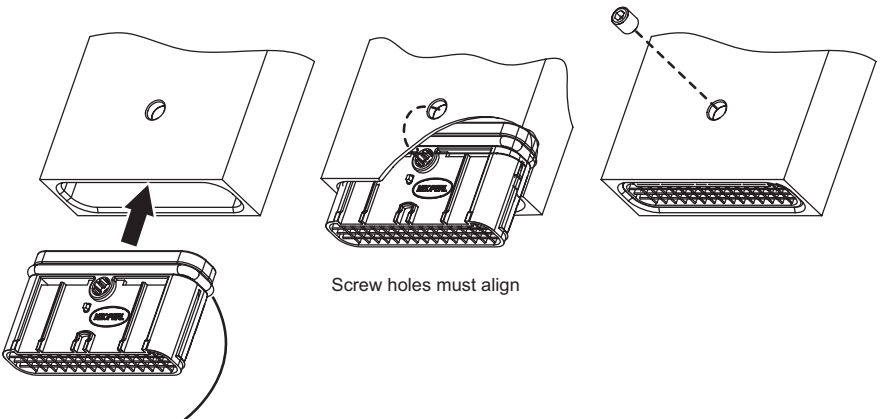
AERATOR REMOVAL

(Use 1.5mm Allen Key Supplied)



(Disassembling Key)

AERATOR REASSEMBLY



Screw holes must align

Note:

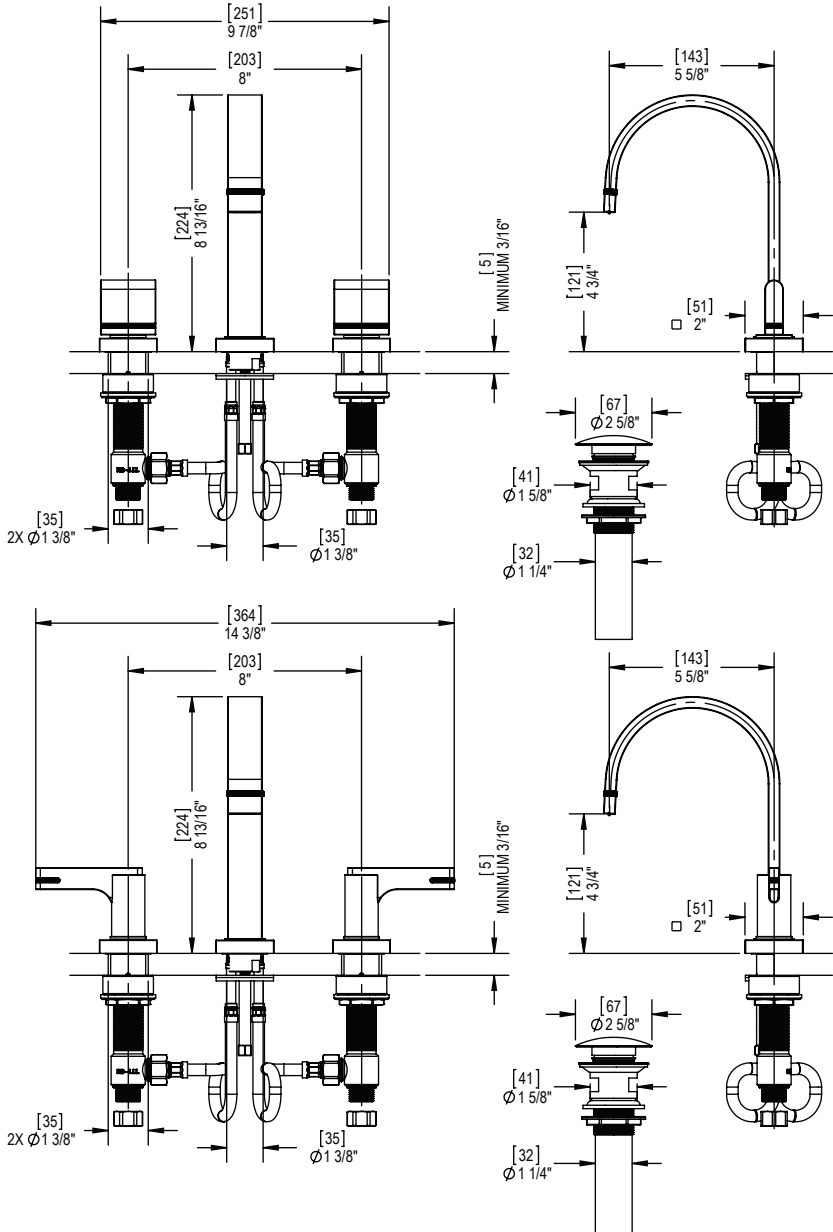
For easy installation,
use soapy water on seal ring
DO NOT USE GREASE

FEATURES:

- Brass construction with choice of 21 finishes
- Two lever or square handles
- Quarter turn Ceramic Disk cartridges
- 1.5 gpm @ 60 psi (Helps meet CalGreen regulation)

APPROVAL:

- AB1953 / NSF61
- ASMEA 112.18.1
- CSA B125.1



CONTACT US:

If you need assistance with installation, replacement parts or have any questions regarding your Rubinet product, please call a Customer Service representative at: 905-851-6781 toll free 1-800-461-5901 or visit www.rubinet.com