

**ASSEMBLY INSTRUCTION****3GHOL or R**

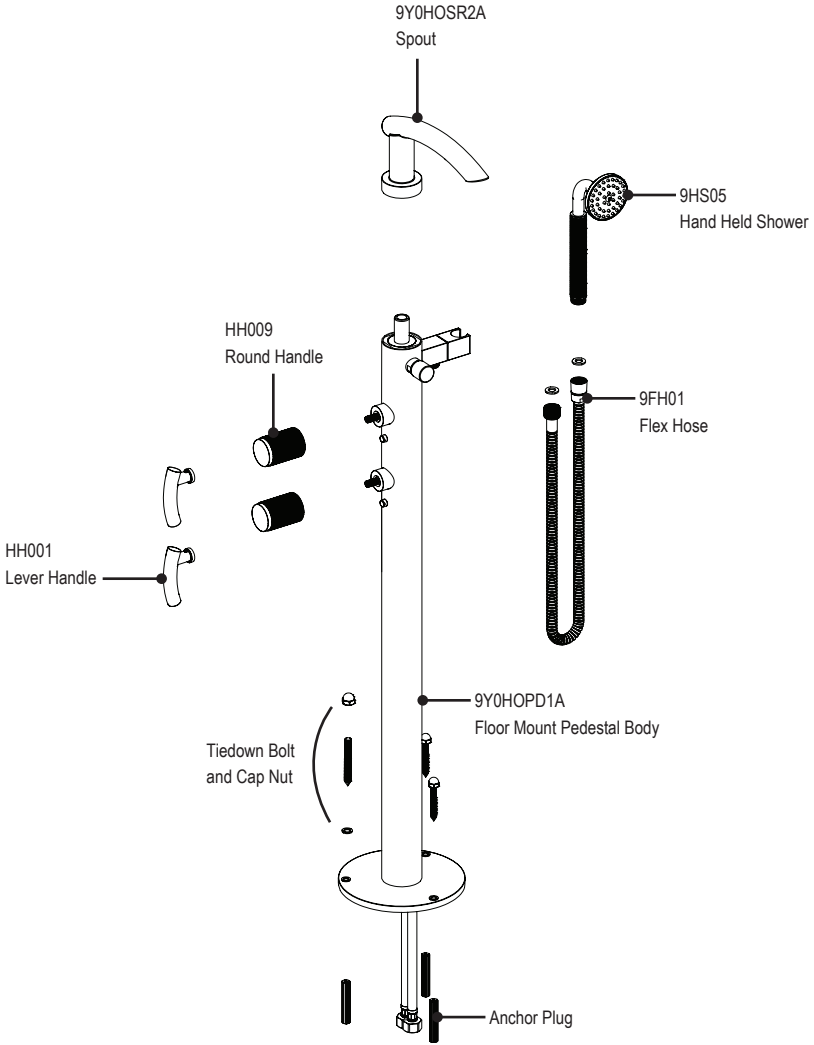
FLOOR MOUNT TUB FILLER WITH HAND HELD SHOWER

**3GHOL****3GHOR****REMOVAL OF FIXTURE:**

Always turn the water supply off before removing the existing fixture or disassembling a valve. Open both handles to relieve water pressure and to ensure that the water has been successfully turned off.

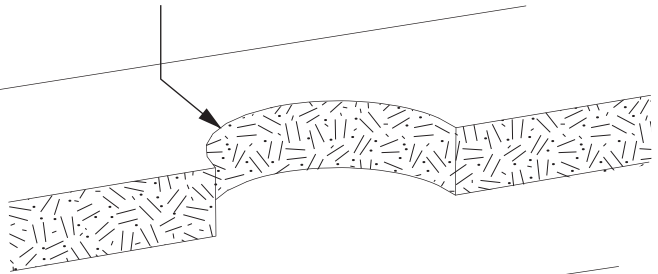
**CARE OF FIXTURE:**

The use of warm water and a soft cloth is all that is required to clean Rubinet products. The patina of our living finishes (Oil Rubbed Bronze & Tuscan Brass) will change as a result of normal use. Applying Mineral Oil on occasion will create a softer look, subtle color changes and character.

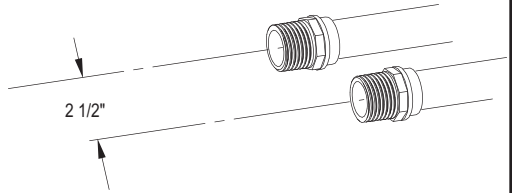


1

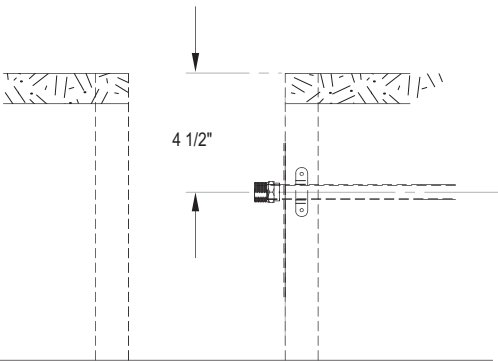
Ø 4 1/2" HOLE



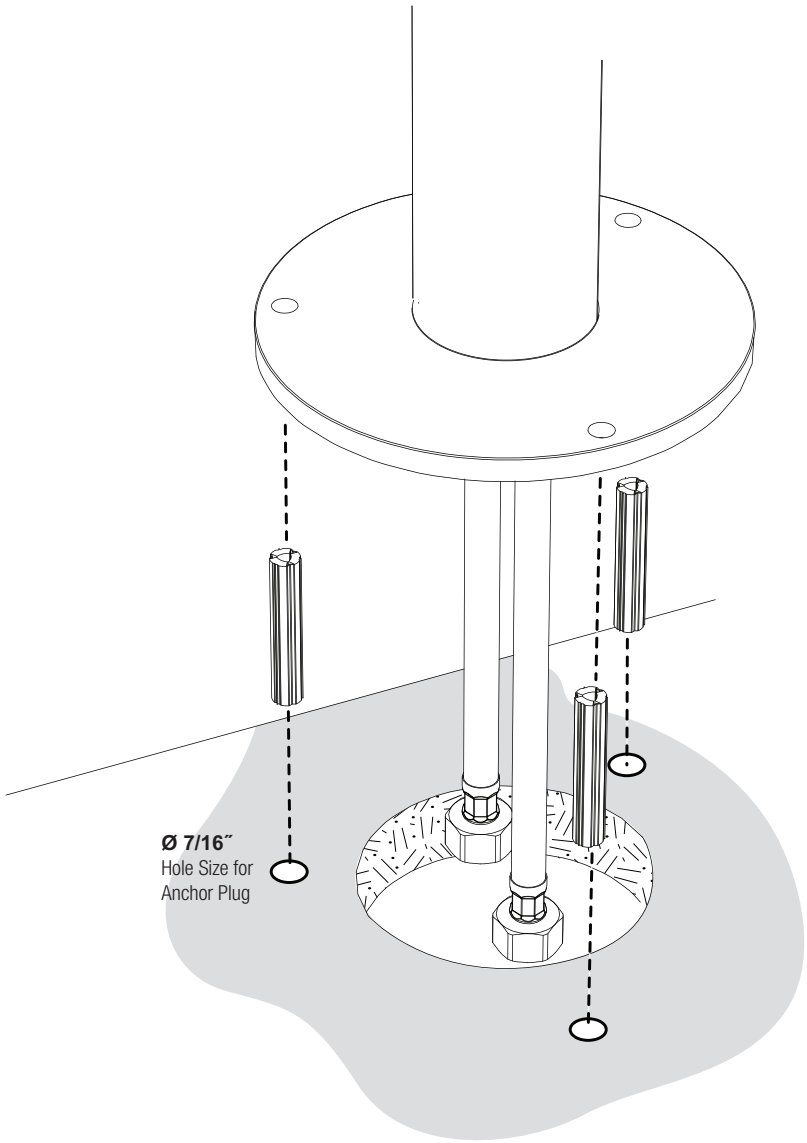
2 1/2"



SUPPLY PIPES WITH  
1/2" MALE PIPE ADAPTORS

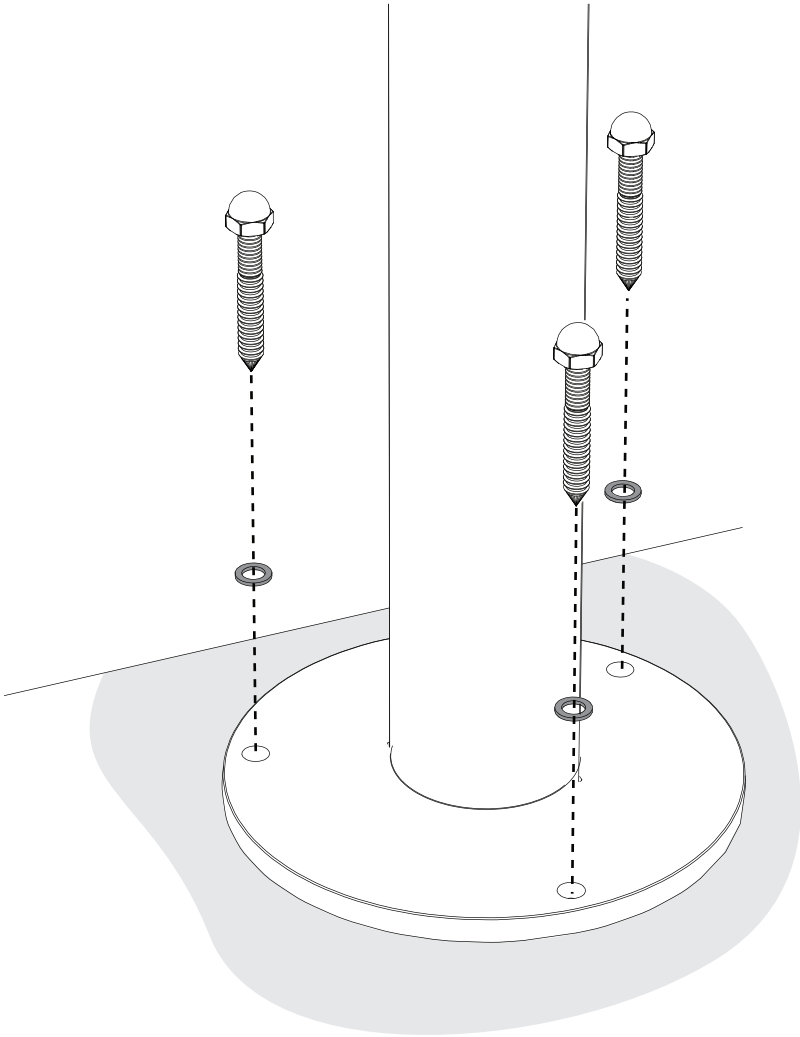


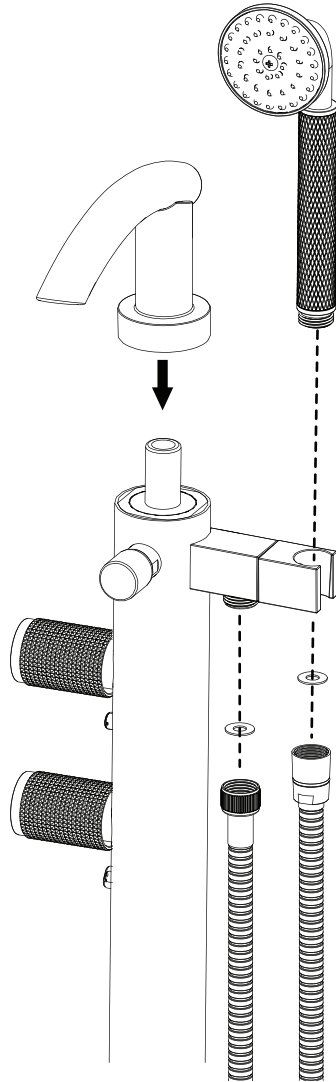
2



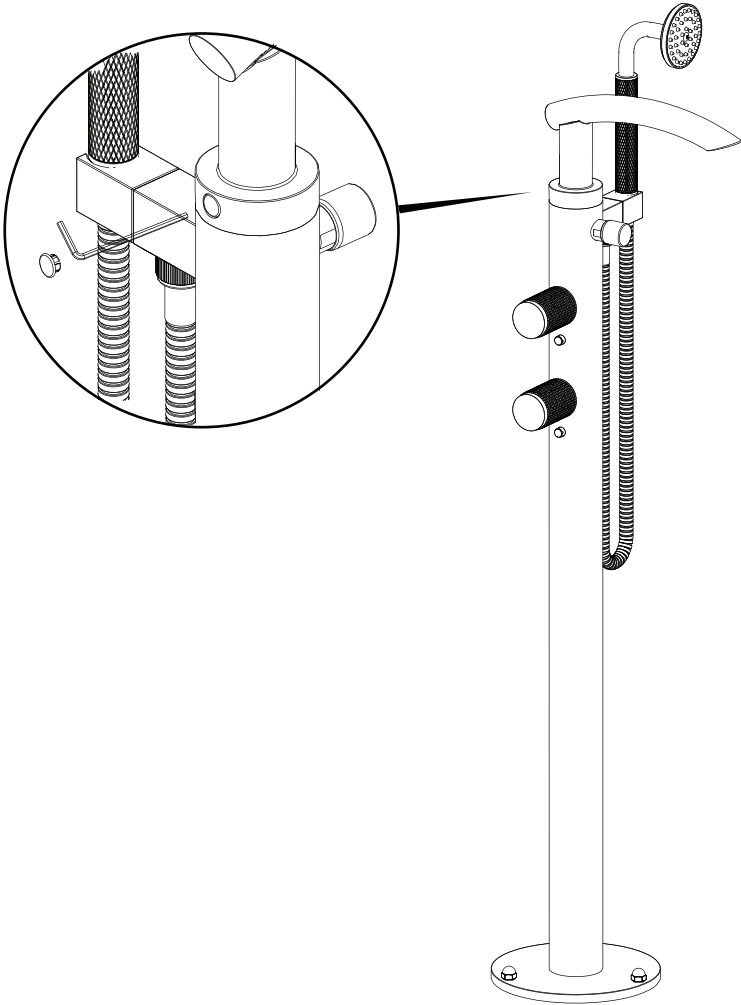
\* Connect the supply hose with the BLUE dot to the COLD water pipe.  
Connect the supply hose with the RED dot to the HOT water pipe.

3





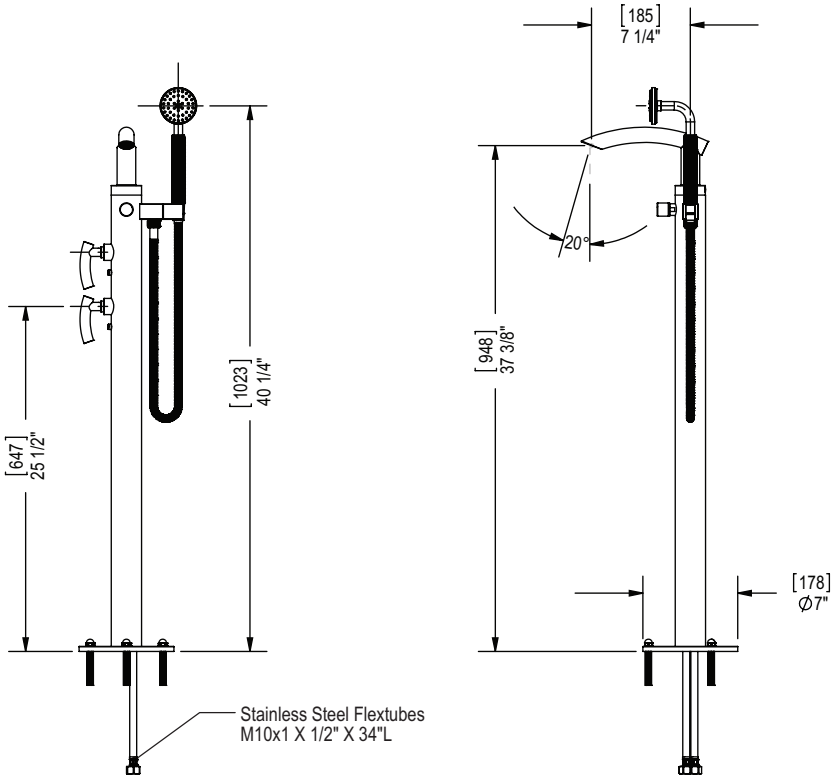
5



\* Place the index cap after tightening the set screw.

**FEATURES:**

- Brass construction with choice of 21 finishes
- Quarter Turn Ceramic Disk Cartridges
- Flow Rate:
- Tub Filler: ( 7.8 gpm @ 60 psi)
- Hand Shower: Limited to 2.5 gpm



**CONTACT US:**

If you need assistance with installation, replacement parts or have any questions regarding your Rubinet product, please call a Customer Service representative at: 905-851-6781 toll free 1-800-461-5901 or visit [www.rubinet.com](http://www.rubinet.com)