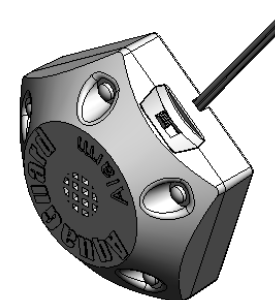
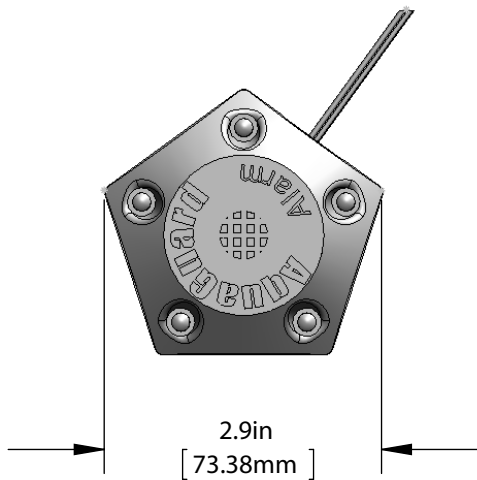


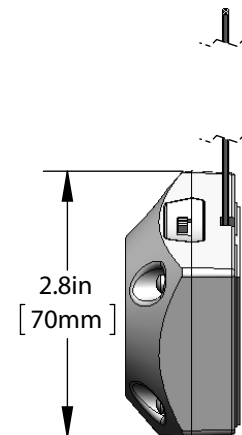
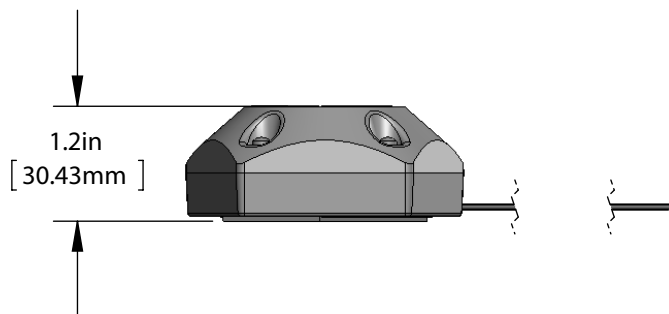
C

C



B

B



NOTES:

THE AG-9100 IS A GENERAL PURPOSE REMOTE ALARM. IT PRODUCES AN AUDIBLE AND VISUAL SIGNAL WHEN ACTIVATED. NO BATTERIES NECESSARY.

THE PERFECT ACCESSORY FOR THE FOLLOWING AQUAGUARD CONDENSATE MANAGEMENT SYSTEMS:
AG-1100+, AG-1200+, AG-1250E, AG-3150E, AG-3175E, AG-3180E, AG-4000 SERIES

UNLESS OTHERWISE SPECIFIED:

DIMENSIONS ARE IN INCHES
TOLERANCES:
FRACTIONAL ±.032
ANGULAR: MACH ±.5° BEND ±2°
TWO PLACE DECIMAL ±.010
THREE PLACE DECIMAL ±.005

INTERPRET GEOMETRIC TOLERANCING PER: ANSI Y14.5, 1994

ENGINEERING	NAME	DATE
DRAWN BY ENG.	DS	4/27/10
CHECKED BY ENG.	JK	4/27/10
ENG APPR.	CC	4/27/10
MFG APPR.	CC	4/27/10

PROPRIETARY AND CONFIDENTIAL

THE INFORMATION CONTAINED IN THIS DRAWING IS THE SOLE PROPERTY OF RECTORSEAL. ANY REPRODUCTION IN PART OR AS A WHOLE WITHOUT THE WRITTEN PERMISSION OF RECTORSEAL IS PROHIBITED.



2601 Spenwick Drive,
Houston, TX 77055
800-231-3345

TITLE:

AG-9100 SPECIFICATION SHEET

SIZE
A

SCALE: 1:2

SHEET 1 OF 1

A