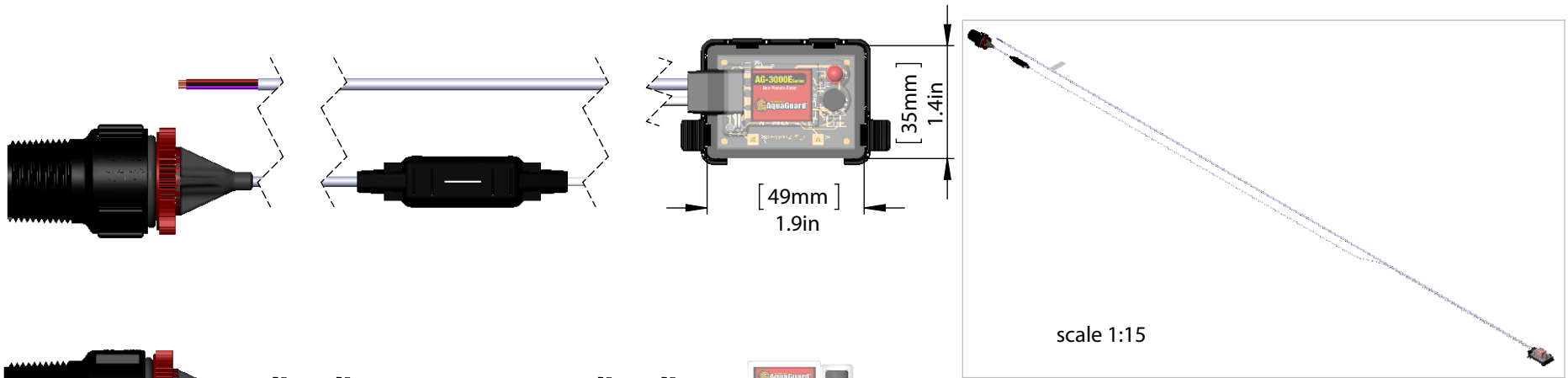


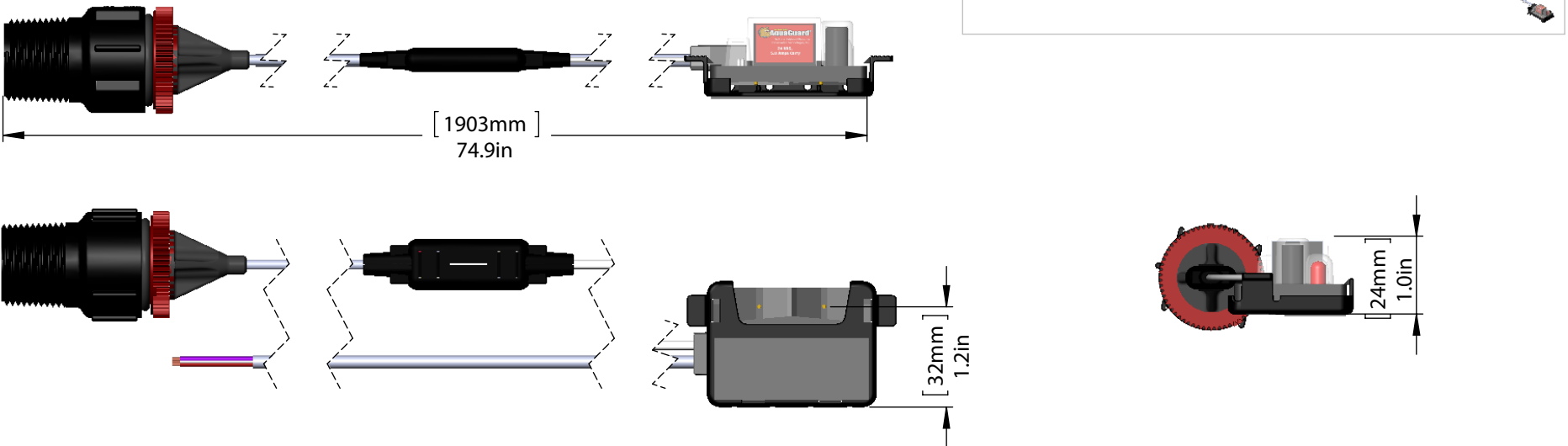
C

C



B

B



ENGINEERING	NAME	DATE
DRAWN BY ENG.	JK	3/1/12
CHECKED BY ENG.	DS	3/1/12
ENG APPR.	CC	3/1/12
MFG APPR.	CC	3/1/12



2601 Spenwick Drive,
Houston, TX 77055
800-231-3345

A

NOTES:
24 VAC 5.0 AMPS
BREAKING/ CARRYING
PLENUM RATED
3/4 MPT

UNLESS OTHERWISE SPECIFIED:

DIMENSIONS ARE IN INCHES
TOLERANCES:
FRACTIONAL ±.032
ANGULAR: MACH ±.5° BEND ±2°
TWO PLACE DECIMAL ±.010
THREE PLACE DECIMAL ±.005
INTERPRET GEOMETRIC
TOLERANCING PER: ANSI Y14.5, 1994

PROPRIETARY AND CONFIDENTIAL

THE INFORMATION CONTAINED IN THIS
DRAWING IS THE SOLE PROPERTY OF
RECTORSEAL.
ANY REPRODUCTION IN PART OR AS A
WHOLE WITHOUT THE WRITTEN
PERMISSION OF RECTORSEAL IS
PROHIBITED.

TITLE:

AG-3175E SPECIFICATION SHEET

SIZE A	SCALE: 1:2	SHEET 1 OF 1
------------------	------------	--------------